

IMPOSSIBLE – BE POSSIBLE!

www.torch-mena.com

Torch Middle East and Africa FZE
Dubai South DWC Warehouse FH2

+971 5888 30771
info@torch-mena.com

**TORCH SPARK PLUG
2023-2024**

TORCH SPARK PLUG

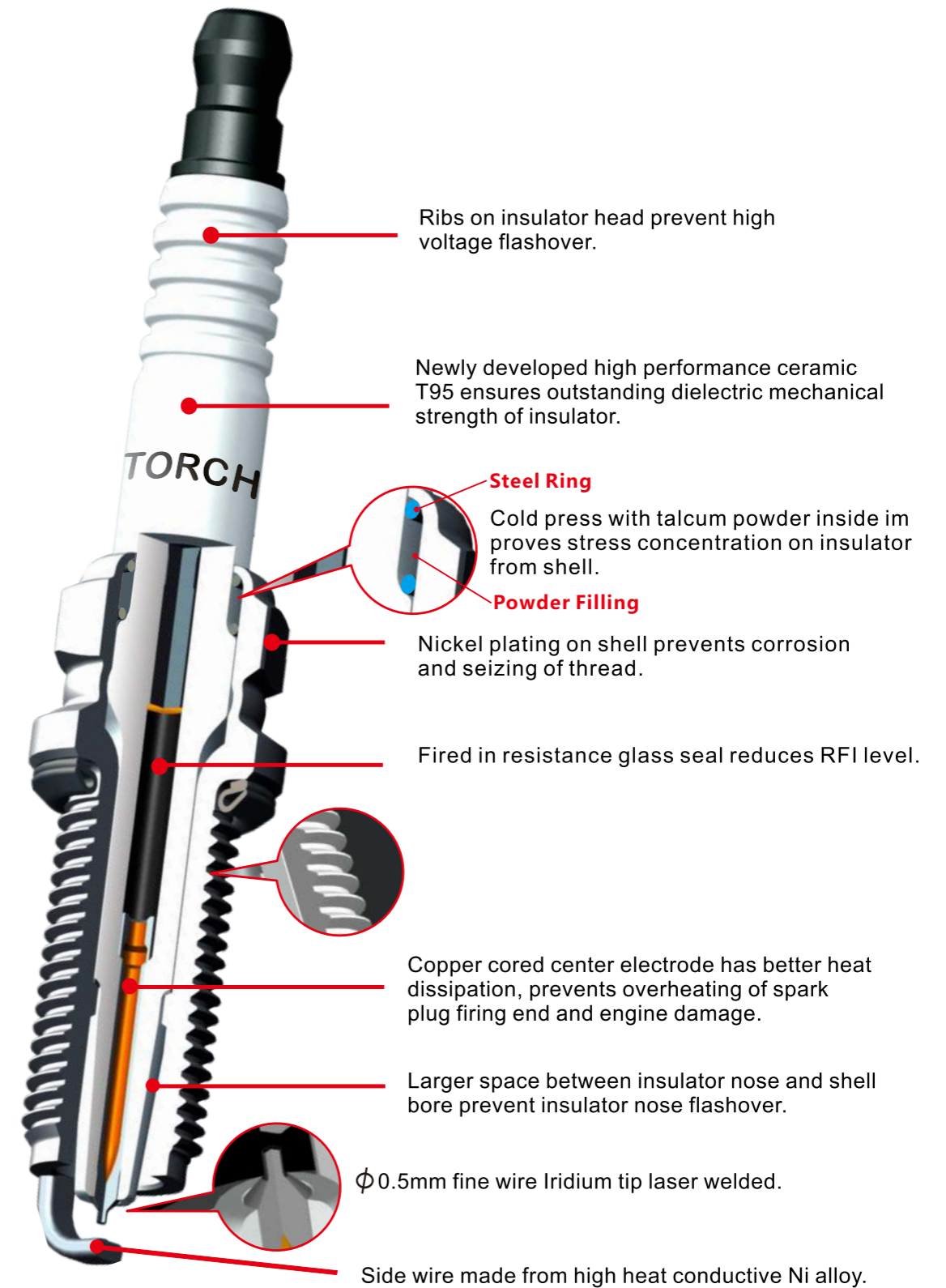
Over 60 years

6,000,000,000 Pcs

TABLE OF CONTENTS

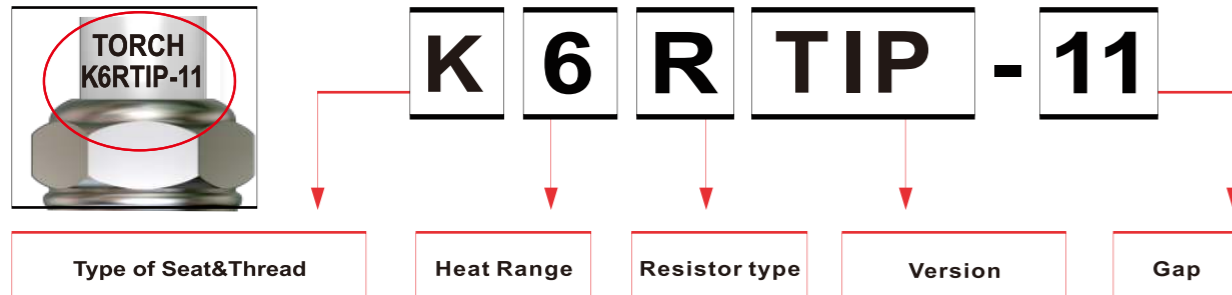
| | |
|--|-------|
| Quality Certificate | 1 |
| Structure & Features of Torch Spark Plug | 2 |
| Torch Spark Plug Design Symbols | 3-4 |
| Torch Spark Plug Specification | 5-6 |
| All New Product, Precision Manufacturing | 7-8 |
| Iridium & Platinum Spark Plugs | 9-10 |
| Special Series Spark Plugs | 11-16 |
| Original Parts | 17-18 |
| Cross Reference | 19-28 |
| Application | 29-56 |
| Installation Recommendations | 57-58 |
| Trouble Shooting | 59-60 |
| Package Specification | 61-63 |







TORCH Spark Plug Design Symbols



K Type of Seat&Thread

| TORCH A ... Z | Thread Size | Seat | Thread Reach | Hexagon size | TORCH A ... Z | Thread Size | Seat | Thread Reach | Hexagon size |
|---------------|-------------|-------------|--------------|--------------|---------------|-------------|--------------|--------------|--------------|
| A | M10X1 | Flat Seat | 12.7 | 16 | M | M14X1.25 | Flat/Bantam | 11.0 | 19 |
| B | M10X1 | Flat Seat | 19.0 | 16 | N | M14X1.25 | Flat/Bantam | 7.8 | 19 |
| C | M12X1.25 | Flat Seat | 12.7 | 17.5 | P | M14X1.25 | Conical Seat | 11.2 | 16 |
| D | M12X1.25 | Flat Seat | 19.0 | 17.5 | PS | M14X1.25 | Conical Seat | 12.3 | 16 |
| DH | M12X1.25 | Flat Seat | 26.5 | 17.5 | Q | M14X1.25 | Conical Seat | 17.5 | 16 |
| DK | M12X1.25 | Flat Seat | 19.0 | 16 | QH | M14X1.25 | Conical Seat | 25.0 | 16 |
| E | M14X1.25 | Flat Seat | 12.7 | 20.8 | QS | M14X1.25 | Conical Seat | 20.5 | 16 |
| F | M14X1.25 | Flat Seat | 19.0 | 20.8 | R | M18X1.5 | Flat Seat | 12.0 | 26 |
| FH | M14X1.25 | Flat Seat | 26.5 | 20.8 | RF | M18X1.5 | Flat Seat | 19.0 | 26 |
| G | M14X1.25 | Flat Seat | 9.5 | 20.8 | RH | M18X1.5 | Flat Seat | 26.5 | 26 |
| GL | M14X1.25 | Flat/Bantam | 9.5 | 20.8 | S | M18X1.5 | Flat Seat | 19.0 | 20.8 |
| H | M14X1.25 | Flat Seat | 11.0 | 20.8 | SE | M18X1.5 | Flat Seat | 12.7 | 20.8 |
| J | M8X1.0 | Flat Seat | 19.0 | 16 | SH | M18X1.5 | Flat Seat | 26.5 | 20.8 |
| K | M14X1.25 | Flat Seat | 19.0 | 16 | T | M18X1.5 | Conical Seat | 10.9 | 20.8 |
| KE | M14X1.25 | Flat Seat | 12.7 | 16 | TF | M18X1.5 | Conical Seat | 17.5 | 20.8 |
| KH | M14X1.25 | Flat Seat | 26.5 | 16 | TH | M18X1.5 | Conical Seat | 25.0 | 20.8 |
| KL | M14X1.25 | Flat Seat | 28.0 | 16 | UH | M12X1.25 | Flat Seat | 26.5 | 14** |
| KS | M14X1.25 | Flat Seat | 20.5 | 16 | UL | M12X1.25 | Flat Seat | 28.0 | 14** |
| L | M14X1.25 | Flat/Bantam | 9.5 | 19.0 | YH | M12X1.25 | Conical Seat | 25.0 | 14 |
| LD | M12X1.25 | Flat Seat | 26.5 | 14 | YL | M12X1.25 | Conical Seat | 26.5 | 14 |
| LDK | M12X1.25 | Flat Seat | 26.5 | 16 | Z | M14X1.25 | Flat Seat | 11.0 | 19 |

6 Heat Range

| TORCH | Heat Range | NGK | BOSCH | DENSO |
|-------|------------|-----|-------|-------|
| 2 | HOT ▲ | 2 | 10 | 9 |
| 3 | | 3 | 9 | 12 |
| 4 | | 4 | 9 | 14 |
| 5 | | 5 | 8 | 16 |
| 6 | | 6 | 7 | 20 |
| 7 | ▼ COLD | 7 | 6 | 22 |
| 8 | | 8 | 5 | 24 |
| 9 | | 9 | 3/4 | 27 |
| 10 | | 10 | 2 | 31 |

R Resistor type

| R | Resistor type |
|---|----------------|
| L | Inductive type |

11 Gap

| | |
|------|-----------------------------------|
| 11 | 1.1 MM |
| 13 | 1.3 MM |
| 15 | 1.5 MM |
| NONE | CAR 0.8-0.9MM MOTOR. 0.7-0.8MM |

TIP

Version

Standard Multi-Electrode and Semi-Surface Discharge TOP

| | | | | | |
|----|---|--|----|--|--|
| A | Ignition position is 5mm | | IP | Iridium and Platinum | |
| B | Shell guide extension | | J | Three ground electrode | |
| C | Copper Core center electrode | | P | Platinum center electrode | |
| D | Two ground electrode | | PP | Double Platinum | |
| E | Yttrium center electrode | | Q | Four ground electrode | |
| F | V-grooved center electrode | | IQ | Iridium center electrode & Four ground electrode | |
| I | Iridium center electrode | | T | Ignition position is 3mm | |
| II | Double Iridium (Pin to Pin) | | U | U-grooved ground electrode | |
| IU | Iridium center electrode & U-grooved ground electrode | | Y | Surface discharge type (auxiliary gap) | |



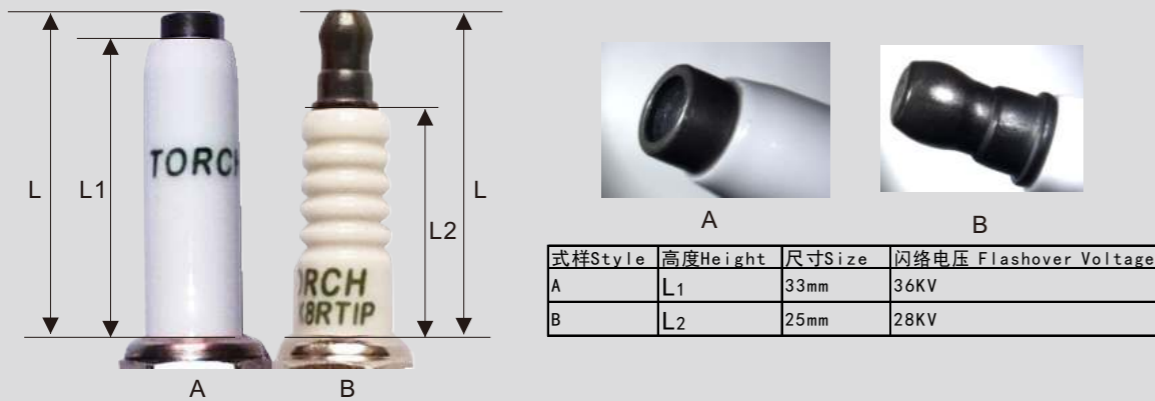
TORCH Spark plug Specification Chart

| | | | | |
|----------------------------|---------------------------|----------------------------|--------------------|-----------------------|
| AC7R | A7RC A7RTC | D8RC D8RTC | DK7RTC | DK7RTA |
| F6RC F6RTC | GL4TC G4TC | K6RA | K6RF-11 | K6TC K6RTC |
| KH6RTC2(K6RTM2) | KL6RTC(K6RTM3) | KH6RTC3(K6RTM3) | K5rTS | K6RB-11 |

TORCH Spark plug Specification Chart

| | | | | |
|-----------------------|-----------------------|-----------------------|-----------------------|--------------------|
| L6RC L6RTC | E6RC E6RTC | LD7RA | LD7RTC | LDK7RA |
| LDK7RB | LDK7RTC | P6TC/P6RTC | Q6TC/Q6RTC | QH6RTC |
| T6TC/T6RTC | UH7RTIP | UL8RTIP | YH8RTIP | YL8RTIP |

Cup terminal



Using innovative cup terminal can increase approx. 8 KV insulator flashover voltage. In case of loosening ignition boot due to aging of rubber, this design can effectively prevent high voltage flashover on insulator head, and extend service life of spark plug.

Solid outer gasket

Standard layered outer gasket



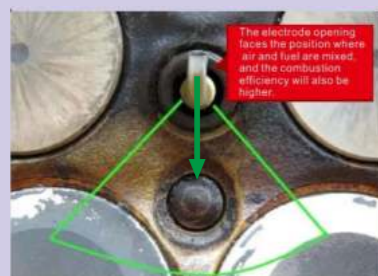
Innovative solid outer gasket



Aluminum gasket



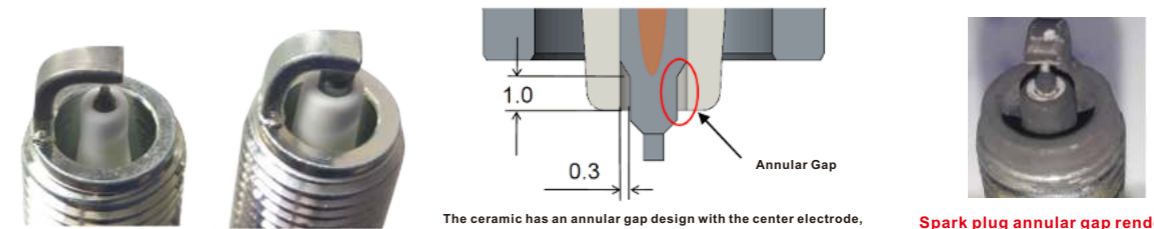
Copper gasket



Schematic diagram of ground electrode orientation

Using solid outer gasket can achieve besides not only reliable gas sealing performance, but also precise spark position because there is nearly no gasket deforming after installation, which can also avoid gas leakage risk due to small installation torque, and influence of spark position due to thickness change by different torque like using layered outer gasket. Using solid outer gasket, combining with other technologies, can also realize ground electrode orientation inside combustion chamber, improve spark plug ignitability, and avoid cave erosion of ground electrode.

Wide heat range spark plug



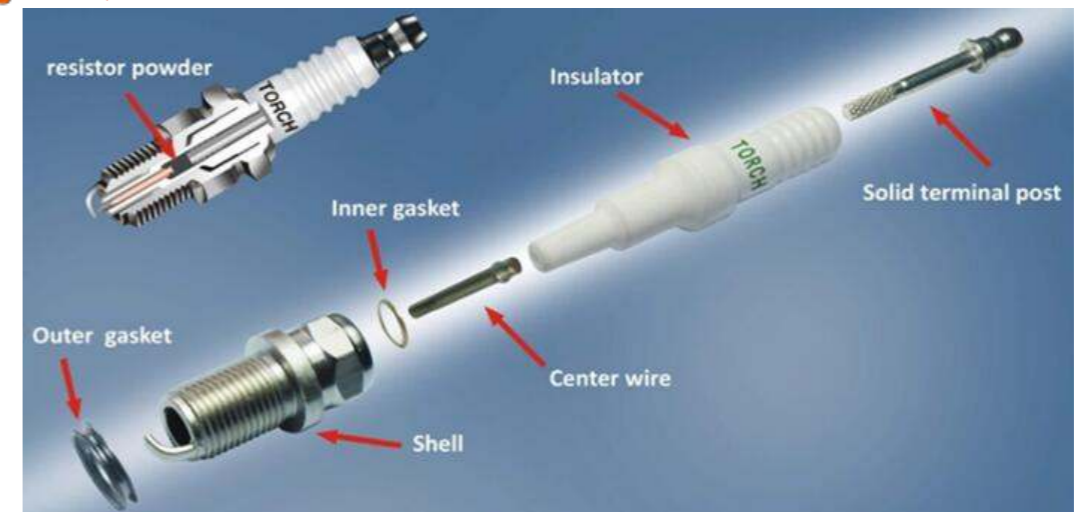
The ceramic has an annular gap design with the center electrode.

Spark plug annular gap rendering

With the structure of super large heat capacity chamber+annular gap, the spark plug is not only suitable for the working conditions of supercharging and high power, but also for the working conditions of extremely cold areas and low load.

/ Anti-fouling Design /

| Standard design | Anti-fouling design | |
|-----------------|---------------------|---|
| | | Reduce insulator tip diameter to increase its temperature rapidly to prevent carbon fouling |
| | | Stepped center electrode tip to form a ring gap between insulator bore and CE to prevent flashover |
| | | Fine CE tip to reduce ignition voltage and prevent insulator core flashover |
| | | Enlarged bore dia. of shell to prevent insulator core flashover with bigger gap between shell and insulator |
| | | V tripped ground electrode tip to reduce ignition voltage and prevent quenching |
| | | Used high performance ceramic of T95 with fine surface to prevent carbon accumulation |





Platinum&Iridium Spark Plug



SINGLE IRIIDIUM



IRIDIUM & PLATINUM

IRIDIUM SPARK PLUG

- Easier starting.
- Quicker acceleration.
- Improved fuel economy.
- Maximum power and performance.
- Durable platinum tip withstands high combustion chamber temperatures in all standard, turbo and high performance engines.
- Delivering precise firing.
- Long Life Time



SINGLE PLATINUM

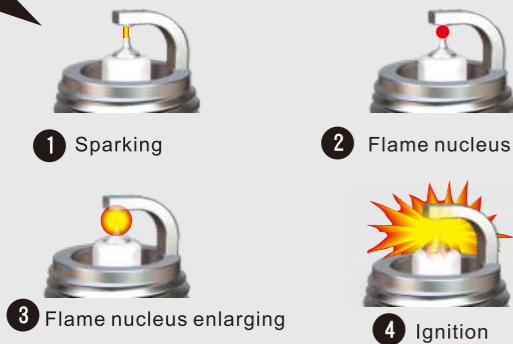


DOUBLE PLATINUM

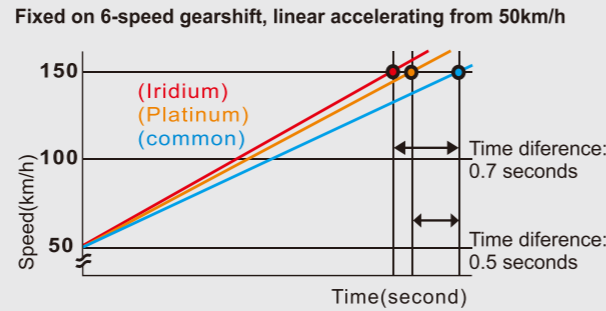
PLATINUM SPARK PLUGS

- Reaches self-cleaning temperature only seconds.
- Electrode gap remains virtually unchanged throughout the plug's longer service life; no need to clean or re-gap
- Requires less voltage
- Reduces quenching
- Long life time

From sparking to igniting

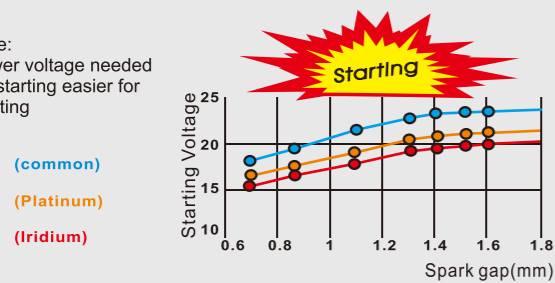


Iridium-Platinum electrode plugs have quicker acceleration

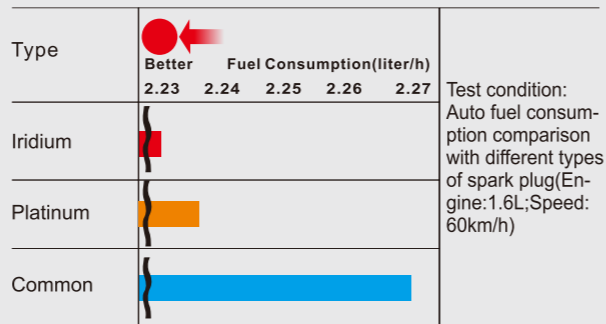


Iridium-Platinum electrode plugs have easier starting

Rule:
Lower voltage needed for starting easier for starting



Iridium-Platinum electrode plugs improve fuel economy



Needle+trimmed+ copper core ground electrode. Restrain flame suppression, reduce heating area. Better heat dissipation performance.



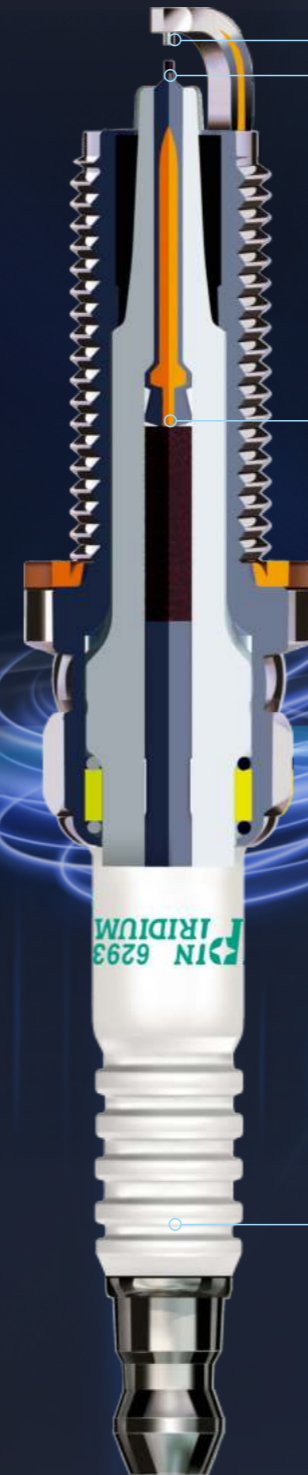
Iridium Pin to Pin electrode. 360° laser welding, diameter of 0.6mm+0.5mm. Lower ignition voltage. Super cold starting performance, maximum restrain of flame suppression, greatly improving ignition performance.



Copper core center electrode. Improve heat dissipation performance and quickly cool down.

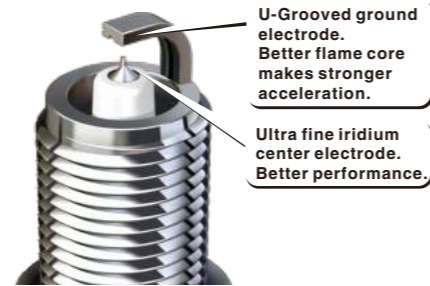


T95+ ultra-high performance ceramic. Ultra-high electrical strength, cold and hot shock resistance. Corrosion and high temperature resistance. Ensure reliable ignition in ultra-high temperature and ultra-high pressure engine.

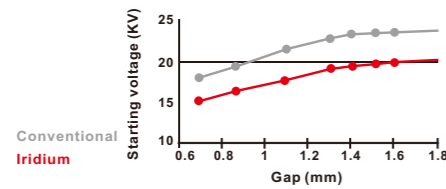


IRIDIUM

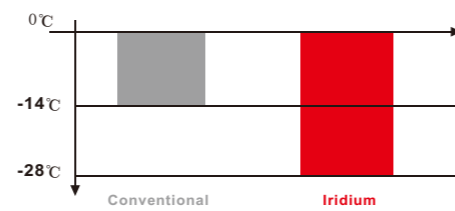
★ -28°C starting ★ $\Phi 0.5$ IU Iridium center electrode



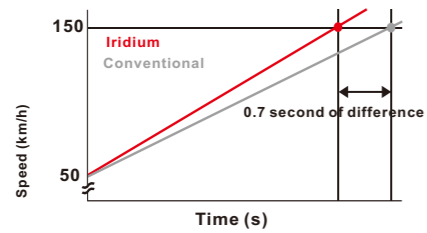
1 Lower Ignition Voltage



2 Lower Starting Temperature



3 Better Acceleration



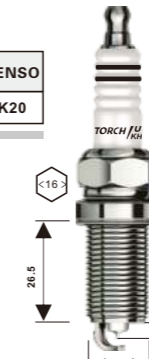
4 Less fuel consumption

| Spark plugs type | Fuel Consumption (L/H) |
|-------------------------------|------------------------|
| Iridium center electrode | 2.23 |
| Conventional center electrode | 2.24, 2.25, 2.26, 2.27 |



| SUPER FLAME | NGK | BOSCH | DENSO |
|--------------|---------|-------|-------|
| K6RIU | 6KR6EIX | FR7DP | IK20 |

Iridium center electrode/
U-groove ground electrode
Thread length:19mm
Thread diameter:14mm
Gap:0.7-0.8mm
Installation dimension: S16mm
Heat range: 6



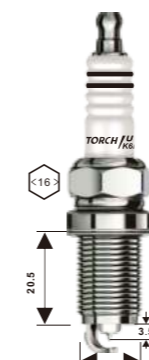
| SUPER FLAME | NGK | BOSCH | DENSO |
|---------------|-----------|-------|-------|
| KH6RIU | LF6AIX-11 | FR8NP | IKH20 |

Iridium center electrode/
U-groove ground electrode
Thread length:26.5mm
Thread diameter:14mm
Gap:0.8-0.9mm
Installation dimension: S16mm
Heat range: 6



| SUPER FLAME | NGK | BOSCH | DENSO |
|---------------|---------|-------|-------|
| DK7RIU | DCPR7E1 | YR7DP | IXU22 |

Iridium center electrode/
U-groove ground electrode
Thread length:19mm
Thread diameter:12mm
Gap:0.7-0.8mm
Installation dimension: S16mm
Heat range: 7



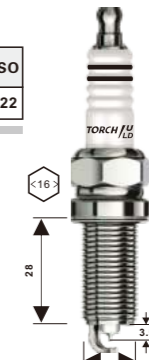
| SUPER FLAME | NGK | BOSCH | DENSO |
|---------------|-----------|--------|-------|
| K6RBIU | IZFR6K-11 | FR7LPX | IK20L |

Iridium center electrode/
U-groove ground electrode
Thread length:20.5mm
Thread diameter:14mm
Gap:0.8-0.9mm
Installation dimension: S16mm
Heat range: 6



| SUPER FLAME | NGK | BOSCH | DENSO |
|-----------------|-------------|---------|--------|
| LDK7RAIU | SILZKR6B10E | YR7MP33 | IXUH22 |

Iridium center electrode/
U-groove ground electrode
Thread length:26.5mm
Thread diameter:14mm
Gap:0.9-1.0mm
Installation dimension: S16mm
Heat range: 7



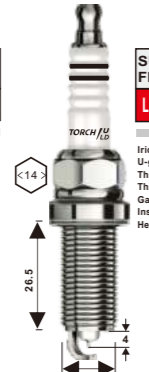
| SUPER FLAME | NGK | BOSCH | DENSO |
|-----------------|------------|-------|-------|
| LDK7RBIU | ILZKR7B11S | | |

Iridium center electrode/
U-groove ground electrode
Thread length:28mm
Thread diameter:12mm
Gap:0.9-1.0mm
Installation dimension: S16mm
Heat range: 7



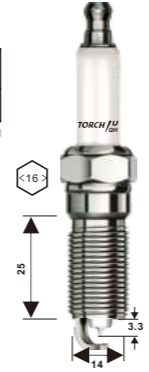
| SUPER FLAME | NGK | BOSCH | DENSO |
|---------------|---------|-------|-------|
| K6RGIU | ZFR6V-G | | |

Iridium center electrode/
U-groove ground electrode
Thread length:19mm
Thread diameter:14mm
Gap:0.8-0.9mm
Installation dimension: S16mm
Heat range: 6



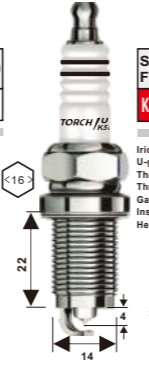
| SUPER FLAME | NGK | BOSCH | DENSO |
|---------------|-----------|----------|----------|
| LD7RIU | ILKAR7B11 | VR7N133X | SC20HR11 |

Iridium center electrode/
U-groove ground electrode
Thread length:26.5mm
Thread diameter:12mm
Gap:1.0-1.1mm
Installation dimension: S14mm
Heat range: 7



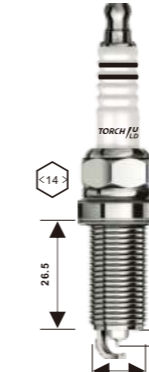
| SUPER FLAME | NGK | BOSCH | DENSO |
|---------------|----------|-------|--------|
| QH5RIU | ILTR5E11 | | 41-103 |

Iridium center electrode/
U-groove ground electrode
Thread length:25mm
Thread diameter:14mm
Gap:1.0-1.1mm
Installation dimension: S16mm
Heat range: 5



| SUPER FLAME | NGK | BOSCH | DENSO |
|----------------|---------|----------|-------|
| K5-TSIU | ZFR5P-G | FR7HPP33 | |

Iridium center electrode/
U-groove ground electrode
Thread length:22mm
Thread diameter:14mm
Gap:0.85-0.95mm
Installation dimension: S16mm
Heat range: 5



| SUPER FLAME | NGK | BOSCH | DENSO |
|----------------|-------------|----------|-------|
| LD6RAIU | LZKAR6AP-11 | VR7SPP33 | |

Iridium center electrode/
U-groove ground electrode
Thread length:26.5mm
Thread diameter:12mm
Gap:1.0-1.1mm
Installation dimension: S14mm
Heat range: 6



| SUPER FLAME | NGK | BOSCH | DENSO |
|----------------|--------------|-------|-------|
| LD7RBIU | DILZKAR7C11S | | |

Iridium center electrode/
U-groove ground electrode
Thread length:28mm
Thread diameter:12mm
Gap:1.0-1.1mm
Installation dimension: S14mm
Heat range: 7



| SUPER FLAME | NGK | BOSCH | DENSO |
|----------------|-----------|-------|-----------|
| YH6RAIU | SILZNR6D9 | | AC 41-124 |

Iridium center electrode/
U-groove ground electrode
Thread length:25mm
Thread diameter:12mm
Gap:0.9-0.9mm
Installation dimension: S14mm
Heat range: 6



I'm very cool **JRIDIUM**
Super spark plug for Motorcycle

Iridium Tip/Immediate Ignition



- Accelerate ignition
- Powerful energy
- Longer lifetime
- Economic consumption

SPARK PLUGS FOR TURBO ENGINES

"T" IS BETTER

- High temperature resistance, high pressure resistance
- Super explosion resistance
- Longer life

**FOR
TURBO**
40% power
torque increase

Why Torch generate Turbo spark plug specifically?

Torch

Leading manufacturer of spark plugs in the world.

Turbo

Turbo engine, a technologically advanced engine form.

Technology

High-pressure isostatic pressing ceramics.
Combustion resistant electrode materials.
Matching high-temperature and high-pressure environments of turbo engines.



Why choose Torch's spark plugs for Turbo?

1. Use of high-purity calcined alumina provides higher voltage and combustion resistance.
2. Increase the content of alumina to a higher level, with higher strength.
3. The isostatic pressure is increased and improved.
4. Optimized ignition end structure design.
A new generation of electrode materials.
Resist the pressure impact of abnormal combustion.
Improve the carbon deposition resistance under low speed conditions.
Stronger ignition ability, more stability, and longer life.

Commercial gas vehicles Original spare parts

**FOR
GAS**



High-performance



Delay ground electrode
combustion



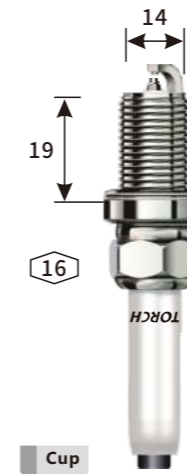
Prevent high voltage flashover
on insulator head



1. New generation ceramic formula, spark plug dielectric voltage $\geq 42KV$.
2. New generation of resistance powder formula and structure provide ultra-high resistance stability.
3. The new generation of precious metal materials and TCP welding technology achieve longer life.



Gas engine spark plug



WT18-3

Central Electrode:Iridium pin
Ground Electrode:Iridium pad
Gap:0.3-0.4
Stickout:2.5
Hexagon Size:16
Thread Reach:19

Applications: Weichai (China VI
vehicle emission
standards)



WT58-3

Central Electrode:Iridium pin
Ground Electrode:Iridium pad
Gap:0.3-0.35
Stickout:2.5
Hexagon Size:16
Thread Reach:19

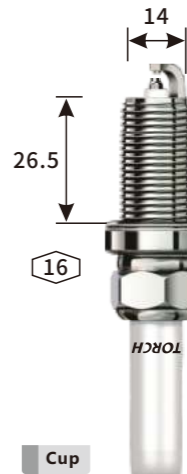
Applications: Weichai (China VI
vehicle emission
standards)



ZT57-4

Central Electrode:Iridium pin
Ground Electrode:Iridium pad
Gap:0.3-0.4
Stickout:2.5
Hexagon Size:16
Thread Reach:19

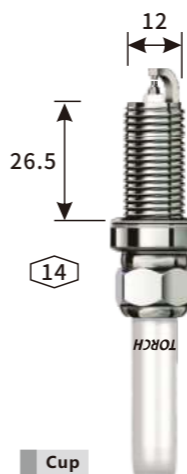
Applications: Weichai (China VI
vehicle emission
standards)



ZT78-4

Central Electrode:Iridium pin
Ground Electrode:Iridium pad
Gap:0.3-0.4
Stickout:3.5
Hexagon Size:16
Thread Reach:19

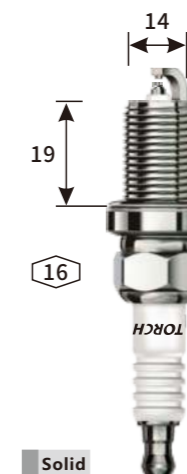
Applications: SINOTRUK (China V
vehicle emission
standards)



YT97-3

Central Electrode:Iridium pin
Ground Electrode:Iridium pad
Gap:0.34-0.45
Stickout:3.3
Hexagon Size:14
Thread Reach:26.5

Applications: Yuchai (China VI
vehicle emission
standards)



5498-3

Central Electrode:Iridium pin
Ground Electrode:Iridium pad
Gap:0.3-0.35
Stickout:2.8
Hexagon Size:16
Thread Reach:19

Applications: Weichai (China V
vehicle emission
standards)

**FOR
GAS**



| Factory | OE part numbers | Engine model | Engine CC | Torch's part numbers |
|-------------------|--------------------|--------------|-----------|----------------------|
| SGM | 24106657 | LI6, LJI | 1.3T | LD8RTI |
| | 24111859 | LI6, LJI | 1.0T/1.3T | LD8RTI |
| | 24112548 | LI6, LJI | 1.0T/1.3T | LD8RTI |
| | 24112630 | LI6, LJI | 1.0T/1.3T | LD8RTI |
| | 24112668 | LI5 | 1.3L | LD7RTC |
| | 24113395 | LIW | 1.0T GDI | LD8RTAI |
| | 9015257 | L2B | 1.5L | 9015257 |
| | 9015257 | F16D3 | 1.6L | 9015257 |
| | 9015257 | T18SED | 1.8L | 9015257 |
| | 9015257 | L95 | 1.4L | 9015257 |
| | 9015257 | LCU | 1.4L | 9015257 |
| | 25333900 | LB8 | 2.5L | 25333900 |
| | 93333323 | L34 | 2.0L | 93333323 |
| Dongfeng AEOLUS | A330010J-X0101 | DFM A14T | 1.4T | LDK8RAIP |
| | A330010J-X0103 | DFM A14TD | 1.4T GDI | LDK8RBIP |
| | A330010J-X0400 | DFM C10TD | 1.0T GDI | LDK8RTAIP |
| Hanteng Auto | 3707020-13 | TLE4G15T | 1.5T | KL7RTPP |
| | 3707020-04 | TLE4G15 | 1.5L | K6RTM3 |
| BEIQI FOTON | E4W1265000005 | | 1.2L | DK7RTC |
| | EQ48665000002 | | 2.0L | K6RTC |
| | EO49165000008 | | 2.2L | F5RTC |
| WULING LIUJI | LJ462Q-3707100 | LJ462Q-1AE1 | 0.9L | F6TC |
| | LJ462QE1-3707100D | LJ462QE1 | 0.8L | F6RTC |
| | LJ465QR1E6-3707100 | LJ465QR1E6 | 1.0L | K6RF-11SGMW |
| | LJ469QE2-3707100A | LJ469Q-AE2 | 1.2L | DK7RTC |
| | LJ469QE2-3707100BA | LJ469Q-1AE2 | 1.2L | DK7RTC |
| | LJ474QE2-3707100 | LJ474QE2 | 1.3L | K7RTC |
| | LJ479QE2-3707100 | LJ479QE2 | 1.8L | K6RTC SGMW |
| LJ486QE1-3707100 | LJ486QE1 | 2.4L | K6RF-11 | |
| Changfeng cheetah | CF4G15T-3707020 | | 1.5T | KL7RTPP |
| | CF4G15-3707020 | | 1.5L | K6RTM3 |
| BAIC MOTOR | 133707110 | A12 | 1.2L | LDK7RTC |
| | | A122 | 1.2L | LDK7RTC |
| | K00565036 | A151 | 1.5L | LZFR6AI |
| | K01165022 | A151E-1 | 1.5T | KL7RTPP |
| | K00565038 | | 1.5L | KL6RTIP |
| | K01765005 | | 2.0T | K7RTIP |
| BYD | BYD473QB-37070100 | BYD473QB | 1.5L | K7RTI |
| | BYD371QA-37070100 | BYD371QA | 1.0L | K6RTM2 |
| | BYD476ZQA-37070100 | BYD476ZQA | 1.5T | K6RAIP |

| Factory | OE part numbers | Engine model | Engine CC | Torch's part numbers |
|-------------------|-----------------|-------------------|-------------|----------------------|
| SAIC | 10099079 | 15S4C | 1.5L | K6RTC |
| | | 15S4U | 1.5L | K6RTC |
| | | 16S4C | 1.6L | K6RTC |
| Dongfeng Yulong | 22401SE322 | G18TG | 1.8T | LD8RTIP |
| SAIC-GM -Wuling | 23615233 | B15D | 1.5L | DK7RTC+ |
| | | N15 | 1.5L | DK7RTC+ |
| | | N15A | 1.5L | DK7RTC+ |
| Mianyang Xincheng | 491Q-ME-3707010 | | 2.2L | F6RTC-11 |
| | 491Q-E-3707010 | | 2.2L | F6TC |
| | 495QF-E-3707020 | 495QF | 2.7L | K7RTC |
| | 2TZ-3707010 | 2TZ | 2.4L | K6RTMIP |
| | 2TZ-3707010A | 2TZ | 2.4L | K6RTM2 |
| | 4F18-T-3705020 | XC4F18-T | 1.0L | K6RTM2 |
| | 4F18-F-3705020 | XC4F18-F | 1.0L | K7RTC |
| | 4RB2-3707020 | 4RB2 | 2.2L | K7RTIP |
| | 4F18-100 | XC4F18-T XC4F18-F | 1.0L | F6RTC |
| | 4A13-3707020A | 4A13 | 1.3L | DK7RTC |
| | 4A15T-3707010 | 4A15T | 1.5T | DK8RTIP |
| | 4A13-3707020 | 4A13 | 1.3L 1.5L | DK6RTIP |
| 1000819-01 | CE12 | 1.2T | UL8RTIP | |
| | CE16 | 1.6T | UL8RTIP | |
| | CE18 | 1.8T | UL8RTIP | |
| | GE15T-3700040 | GE15T | 1.5T | KL7RTPP |
| Mianyang Yema | GE15-3707010 | GE15 | 1.5L | K6RTM3 |
| | GE18-3707060 | GE18 | 1.8L | K6RTC |
| | 3103114 | BM15L | 1.5L | K6RTM3 |
| Brilliance Auto | 3100828 | BM15T | 1.5T | KL7RTPP |
| | 3707100-EG01 | GW4G15 | 1.5L | K7RTC0 |
| GREAT WALL | 3707100-37K | CA4GD1 | 2.0L | QH6RTIP |
| | | CA4GD3 | 2.3L | QH6RTIP |
| | | CA4GD5 | 1.8L | QH6RTIP |
| FAW | N03G3612014 | HMA GN15-VF | 1.5L | K6RTMI |
| | | HMA GM10-VF1 | 1.0L | DK7RTC |
| | | HMA GM12-NR1 | 1.2L | DK7RTC |
| | | HMA GM10-NR1 | 1.0L | DK7RTC |
| | | HMA GM12-NR | 1.2L | DK7RTC |
| | | N03G3612014 | HMA GN16-VF | 1.6L |
| N01G3612014 | HMA GN15-TF | 1.5T | KL7RTPP | |
| | Mn137919 | 4A90 | 1.3L | K6RTM3 |
| 4A90M | | 1.3L | | |

| Factory | OE part numbers | Engine model | Engine CC | Torch's part numbers | | |
|---------------------|-----------------|--------------|-----------|----------------------|-----------|------|
| Shenyang Mitsubishi | MN137919 | 4A90S | 1.3L | K6RTM3 | | |
| | | 4A91 | 1.5L | | | |
| | | 4A91S | 1.5L | | | |
| | | 4A92 | 1.6L | | | |
| | | 4A92S | 1.6L | | | |
| | MW251982 | 4A91T | 1.5T | KL7RTPP | | |
| | SMS851387 | 4G63S4M | 2.0L | K6RF-11 | | |
| | | 4G63S4N | 2.0L | | | |
| | | 4G64 | 2.4L | | | |
| | | 4G64S4M | 2.4L | | | |
| SMN158596 | 4G69 | 2.4L | LZFR6AI | | | |
| | 4G69S4N | 2.4L | | | | |
| | 4G69S4M | 2.4L | | | | |
| SMW251436 | 4G63S4T | 2.0T | K7RTAI | | | |
| 471Q-3707800 | 4G13 | 1.3L | K7RF-11 | | | |
| | 4G13S | 1.3L | | | | |
| | 4G13S1 | 1.3L | | | | |
| DAGC119256 | 4G15M | 1.5L | K6RTMIP | | | |
| | 4G15S | 1.5L | | | | |
| | 4G15V | 1.5L | | | | |
| 471Q-3707800 | 4G18 | 1.8L | K7RF-11 | | | |
| | 4G18M2 | 1.8L | | | | |
| | 4G18S | 1.8L | | | | |
| | 4G18S1 | 1.8L | | | | |
| DAMS851388 | 4G93 | 1.8L | K7RFL-11 | | | |
| | 4G93D | 1.8L | | | | |
| | 4G93M | 1.8L | | | | |
| | 4G94 | 2.0L | | | | |
| | 4G94S | 2.0L | | | | |
| A11-3707110CA | SQRD4G20 | 2.0L | K7RTI | | | |
| | SQR484F | 2.0L | | | | |
| | SQRE4T15 | 1.5T | | LDK8RTIP | | |
| | SQRE4T15B | 1.5T | | | | |
| | SQRE4T15C | 1.5T | | LDK8RTIP | | |
| | SQRE4G16 | 1.6T | | | | |
| | SQRE4T20 | 2.0T | | K7RTIP | | |
| | S11-3707100 | | | | 独家配套 7026 | |
| | JAC | 1026106GAA | | HFC4GA3-3D | 2.0L | 9011 |

| Factory | OE part numbers | Engine model | Engine CC | Torch's part numbers |
|------------------|------------------|--------------|---------------|----------------------|
| JAC | 1026080GG010 | HFC4GB3-3D | 1.6L | KL6RTIP |
| | 1026080GH500 | HFC4GC1-6D | 1.5T | KL7RTPP |
| ZOTYE AUTO | JT15T3605111 | JT15T | 1.5T | KL7RTPP |
| | JT16N3707020 | JT16N | 1.6L | K6RTM3 |
| | 3707020-13 | TNN4G15T | 1.5T | KL7RTPP |
| | TNN4G12-3707060 | TNN4G12 | 1.2L | DK7RTC |
| 3707020-04 | TNN4G15B | 1.5L | K6RTM3 | |
| | 9S7E12405AA | CAF483Q0 | 1.8L | Q6RTP-13 |
| | | CAF488Q1 | 2.0L | Q6RTP-13 |
| 3707010-B04 | H16EB | 1.6L | LDK7RTIP | |
| | H15TG | 1.5L | LDK8RTIP | |
| | H16B | 1.6L | LD7RTC | |
| 3707010-B05 | H16G | 1.6L | LDK7RTIP | |
| | EA | 1.5L | DK7RTC | |
| | NE15TG | 1.5L | LDK8RTBIP | |
| 3707200E0100 | DK15-01 | 1.5L | LDK7RTC | |
| 3707200F0000A | SFG15T | 1.5T | LDK8RAPP | |
| 3707200K0000 | SFG18 | 1.8L | KL6RTC | |
| 1000928D0000A | DK12-1 | 1.2L | DK7RTC | |
| T902F6RTC | EQ465i-30 | 1.1L | F6RTC | |
| 3707200A2600 | AF10-12 | 1.0L | K6RTM2 | |
| LIFAN | 3707800A | LFB479Q | 1.8L | K6RTC |
| 37070700-C01-000 | BJ415C | 1.5L | K6RTC | |
| | 37070700-D01-000 | F15D | 1.5T | QH7RTIP |
| | 37070700-A03-000 | F13B | 1.3T | UL8RTIP |
| | 37070700-A02-000 | BJ413A | 1.3L | K7RTC |
| 479Q-BS-18110 | 479Q-BS-18110 | 1.6L | ZFR6F-11(CNG) | |
| 474Q-18110 | 474Q-18110 | 1.6L | K6RTMI | |
| 483Q-18110 | 483Q-18110 | 1.8L | ZFR6F-11 | |
| 484Q-T-18110 | 484Q-T-18110 | 2.0L | KH7RTIP | |
| 483Q-TI-18110 | 483Q-TI-18110 | 1.8T | LDK8RTIP | |
| 484Q-18110 | 484Q-18110 | 2.0L | ZFR6F-11. | |
| 474Q-T | 474Q-T | 1.5T | KL7RTPP | |
| 1016050983 | JLy-4G15 | 1.5L | KL6RTC | |
| 1016050983 | JLy-4G18 | 1.8L | KL6RTC | |
| 1136000179 | JL-4G20 | 2.0L | K6RTC | |
| 1136000179 | JL-4G24 | 2.4L | K6RTC | |
| 1136000179 | MR479Q | 1.5L | K6RTC | |
| 1036050159 | JL-3G10A | 1.0L | KH6RLC | |
| 1016051391 | JLB-4G15 | 1.5L | LDK7RTC | |
| 1136000179 | JLD-4G20 | 2.0L | K6RTC | |
| 1136000179 | JLD-4G24 | 2.4L | K6RTC | |



| AUTOLITE | TORCH |
|----------|-----------|
| 16 | P4RTC |
| 23 | P6RTC |
| 24 | P5RTC-11 |
| 25 | P4RTC-11 |
| 26 | P3RTC-11 |
| 45 | T4RTC3-11 |
| 46 | T3RTC3-11 |
| 63 | F6RTC |
| 64 | F5RTC-11 |
| 65 | F4RTC |
| 66 | F3RTC |
| 85 | G4RTC |
| 86 | G3RTC |
| 103 | Q6RTC-13 |
| 104 | Q5RTC-13 |
| 105 | Q4RTC-11 |
| 106 | Q3RTC-11 |
| 124 | T6RC |
| 144 | P5RC |
| 145 | P4RC-10 |
| 147 | P2RC |
| 216 | H3C |
| 254 | L5C |
| 255 | L4C |
| 258 | L2C |
| 264 | L5RC |
| 265 | L4RC |
| 268 | L2RC |
| 275 | E5TC |
| 292 | G9C |
| 295 | G4C |
| 303 | G5RC |
| 306 | G3RC |
| 308 | G2RC |
| 353 | G6C |
| 373 | R6C |
| 386 | R3RC |
| 388 | R2RC |
| 398 | F1 |
| 399 | F2 |
| 403 | F6RC |
| 404 | F5RC |
| 405 | F4RC |

| AUTOLITE | TORCH |
|----------|------------|
| 411 | E9C |
| 414 | E6C |
| 425 | E4RC |
| 437 | H3TC |
| 456 | GL3C |
| 458 | GL2C |
| 468 | GL2RC |
| 605 | Q4RTC-15 |
| 606 | Q3RTC-15 |
| 646 | F3RTC-13 |
| 666 | P3RTC-15 |
| 685 | P4RC-15 |
| 764 | Q5RTCF1-11 |
| 765 | Q4RTCF1-11 |
| 766 | Q3RTCF1-11 |
| 824 | TH6RH |
| 847 | G3RTC-18 |
| 963 | K6rTS |
| 985 | K4RTC5 |
| 2245 | G2RC-P |
| 2544 | W5RTCF-11 |
| 2545 | W4RTCF-11 |
| 2546 | W3RTCF-14 |
| 2554 | N7TC |
| 2634 | E9C-10 |
| 2645 | E8QC |
| 2656 | E4 |
| 2744 | F5RTC |
| 2852 | E9Y-13 |
| 2872 | E9Y-17 |
| 2892 | E9YG-13 |
| 2956 | N7C |
| 2974 | L6TC |
| 2976 | L4TC |
| 2984 | L6RTC |
| 2986 | L4RTC |
| 3076 | QT209 |
| 3095 | QT210 |
| 3116 | R2TC |
| 3136 | AB3C |
| 3922 | K7RTC |
| 3923 | K6RTC-11 |
| 3924 | K5RTC-10 |
| 3926 | K3RTC-11 |
| 3949 | K2R |

| AUTOLITE | TORCH |
|----------|------------|
| 4051 | F10C |
| 4054 | F7C |
| 4055 | F6C |
| 4056 | F5C |
| 4062 | F9RC |
| 4063 | F8RC |
| 4092 | E8C |
| 4093 | E6C |
| 4123 | E7RTC |
| 4132 | D8C |
| 4162 | D8RTC |
| 4163 | D7RTC |
| 4164 | D6RTC |
| 4173 | C8C |
| 4194 | A8TC |
| 4252 | F7TC |
| 4261 | F8RTC |
| 4263 | F6RTC |
| 4265 | F4RTC |
| 4275 | G5TC |
| 4302 | B8RC |
| 4303 | B7RC |
| 4316 | H3C |
| 5125 | T4RTC2-11 |
| 5143 | W6RTC2-11 |
| 5144 | W5RTC2-11 |
| 5145 | W4RTC2-13 |
| 5184 | K5RTC-15 |
| 5204 | AC7R |
| 5205 | AC6R |
| 5206 | AC5R |
| 5224 | K5RTC2-11 |
| 5243 | Q6RTC5-11 |
| 5245 | Q4RTC5-11 |
| 5263 | 5QH6RTC-11 |
| 5285 | P4RA |
| 5324 | KH7RTC |
| 5325 | KH6RTC |
| 5364 | QH6RTC-11 |
| 5503 | 5K6RTC-11 |
| 5565 | AM6R |
| 5663 | DK7RTC |
| 5903 | K7rTS |
| 5924 | K5RTC |
| 6003 | KH6RTC4 |

Use cross reference as a guide only, Due to the difference in design and material, plugs in cross reference are not exactly alike.

| AUTOLITE | TORCH |
|--------------|-------------|
| AP 5263 | 5QH6RTP-10 |
| AP 5325 | KH6RTP-11 |
| APP 5325 | KH6RTP-11 |
| APP103 | Q6RTP-13 |
| APP104 | Q5RTP-13 |
| APP105-10 | Q4RTP-10 |
| APP106-13 | Q3RTP-13 |
| APP24-10 | P5RTP |
| APP25-10 | P4RTP |
| APP3923-8 | K6RTP-8 |
| APP3924-8 | K5RTP-8 |
| APP45-9 | T5RTP3 |
| APP5224 | K5RTP-11 |
| APP5224-8 | K5RTP-8 |
| APP5243-10 | Q6RTP5-10 |
| APP5245-10 | Q3RTP5-10 |
| APP5263-11 | .QH6RTP-11 |
| APP5325 | KH6RTP-11 |
| APP5364 | QH6RTP |
| APP5503-8 | .K6RTP-8 |
| APP605-13 | Q4RTP-13 |
| APP63-8 | F6RTP-8 |
| APP64 | F5RTP-11 |
| APP66-11 | F3RTP-11 |
| APP666-15 | P3RTP-15 |
| APP985-10 | K4RTP5-10 |
| XP 104 | Q5RTIP-13 |
| XP 3923 | K6RTIP-11 |
| XP 3924 | K5RTIP-11 |
| XP 5224 | K5RTIP5-11 |
| XP 5245 | Q5RTIP5-11 |
| XP 5263 | 5QH6RTIP-10 |
| XP 5325 | KH6RTIP-11 |
| XP 5363 | QH6RTIP-11 |
| XP 5683 | LD7RTIP-11 |
| XP 5863 | QH6RTIP-8 |
| XP6203 | LDK7RTIP-11 |
| XS4062 | F9RI |
| XS4063 | F8RI |
| XS4302 | B9RI |
| XS4303 | B8RI |
| BERU | TORCH |
| 12-5DU | D7C |
| 12ZR-6SPP2-1 | UH6RTP |
| 14-5AU | E7C |
| 14-5BU | E7TC |
| 14-5DU | F7TC |

| BERU | TORCH |
|--------------|------------|
| 14-5DTU | F7TJC |
| 14-8LUR | F5TC |
| 14-6C | F6C |
| 14-6D | F6TC |
| 14-6DU | F6TC |
| 14-8DTU | F5TJC |
| 14-5E | G7C |
| 14-5F | G6TC |
| 14F-6DU | K6TC |
| 14FR-6DU | K6RTC |
| 14FR-7SPUX03 | KH6RTP3-11 |
| 14FR-8MU2 | KH5RTC |
| 14F-6DTU | K6TJY |
| 14K-6DU | Q6TC |
| 14KR-6DU | Q6RTC |
| 14R-6B | E6RTC |
| 14R-6BU | E6RTC |
| 14R-6D | F6RTC |
| 14R-6DU | F6RTC |
| 14R-6DTU | F6RTJC |
| 14SR-5F | L7RTC |
| 14SR-6F | L6RTC |
| 14Z-4AU | E7C |
| 14Z-3CU | F8C |
| 14R-9EUO | GL4RC |
| 18K-7BU | T6TC |
| I14FR-4DPU | ZT57-4 |
| BOSCH | TORCH |
| D8AC | T5C |
| D8BC | T5TC |
| DR10GC0 | T3RTC5 |
| DR8BC | T5RTC |
| F7DC | K6TC |
| F7DC0R | K6rTC |
| F7DCX | K6TC-11 |
| F7DER | K6RTC |
| F7DTC | K6TJC |
| F7HER2 | K5rTS |
| F7LTCR | K6rTJY |
| FGR7DQP | K7RQP |
| FLR7HTC0 | K6RTSJY |
| FLR8LDCU | K5RDY |
| FLR9LTE | K5RTJY |
| FQ5NPP332S | KH7RAIP |
| FQ5NPP332SBP | KH7RTAIP |
| FR3CII360 | WT58-3 |
| FR3KII332 | ZT57-4 |

| BOSCH | TORCH |
|--------------|------------|
| FR3KII332 | WT58-3 |
| FR5KPP332S | K7RTP |
| FR5KPP332SBN | TORCH1+ |
| FR6DC | K7RTC |
| FR6HI332 | K7RTSIP |
| FR6KPP332S | TORCH1 |
| FR7DC | K6RTC |
| FR7DCX | K6RTC-11 |
| FR7DCY | K6RTC-15 |
| FR7DDC | K6RDY |
| FR7DPP30X | K6RTP-11 |
| FR7KI332S | K6RTI-8 |
| FR7KPP332 | K6RTIP |
| FR7LCX | K6RA-11 |
| FR7LDC | K6RDY |
| FR7ME | KH6RTC |
| FR7NPP332 | KH6RAIP |
| FR7SI30 | KH6RTI |
| FR8DC | K5RTC |
| FR8HDC | K5RD |
| FR8KC | K5RTC2 |
| FR8ME | KH5RTC |
| FR8NEU | KH5RTC2-10 |
| FR8SEO | KH5RTC3 |
| H7DC | Q7TC |
| H8BC | P5TC |
| H8DC | Q5TC |
| H8DCX | Q5TC-11 |
| H8DCY | Q5TC-15 |
| HR7MCU | QH6RTC-10 |
| HR7NII332S | QH6RTI |
| HR7TII3320T | QH6RBIP |
| HR8AC | P5RC |
| HR8ACY | P5RC-15 |
| HR8BC | P5RTC |
| HR8DC | Q5RTC |
| HR8DCX | Q5RTC-11 |
| HR8LC0 | Q5RTCF2 |
| HR8MCV | QH5RTC-13 |
| HR8MEV | QH5RTC |
| HR9BCZ | P4RTC-20 |
| HR9HP0 | Q4RTCF2 |
| HR9LCX | Q4RTCF2-11 |
| HS5E | BM7F |
| UR2AS | A8RTC |
| UR3AS | A7RTC |
| UR4AS | A6RTC |

FOR REFERENCE ONLY



| BOSCH | TORCH |
|-----------|----------|
| V6SII3328 | LD7RTBIP |
| VA6SIP80 | LD7RBIP |
| VR6NE | LD7RTC2 |
| VR7SES | LD7RTA |
| VR8SC+ | LD6RTA |
| W5AC | E7C |
| W5BC | E7TC |
| W5CC | F7C |
| W5CCX | F7C-11 |
| W5DC | F7TC |
| W6DC | F7TC |
| W7DC | F6TC |
| W7DTC | F6TJC |
| W7EC | G6C |
| W7FC | G6TC |
| W8BC | E5TC |
| W8DC | F5TC |
| W8LDCR | F6rDY |
| W8LTCR | F6rTJY |
| WQ7BC4 | E6TC |
| WR10FCY | G4RTC-15 |
| WR10FCZ | G4RTC-20 |
| WR5AC | E7RC |
| WR5BC | E7RTC |
| WR5CC | F7RC |
| WR5CCX | F7RC-11 |
| WR5DC | F7RTC |
| WR6DC | F7RTC |
| WR7DC+ | F7RTC |
| WR8BC+ | E5RTC |
| WR8DC+ | F5RTC |
| WR8DCX+ | F5RTC-11 |
| WR9DC | F5RTC |
| WRS5F | L7RTC |
| WS5E | L7C |
| WS5F | L7TC |
| WS8E | L6C |
| WS8F | L6TC |
| WSR6F | L7RTC |
| WSR8F | L6RTC |
| WSR9E | L4RC |
| X5DC | D7TC |
| XR5DC | D7RTC |
| Y5KPP332S | DK7rBPP |
| Y6LER02 | DK7RTA |
| YR5KPP332 | DK7RBIP |
| YR5NI332S | LDK8RTIP |

| BOSCH | TORCH |
|------------|------------|
| YR6NI302S | LDK7RTAI |
| YR6NI332 | LDK7RTAIP |
| YR6NPP332 | LDK8RTIP |
| YR6SII3320 | LDK7RAIP-3 |
| YR6TI352 | LDK7RTBII |
| YR6TII330T | LDK7RCIP |
| YR7DC | DK7RTC |
| YR7MPP33 | LDK7RTIP |
| YR7NE | LDK7RTC2 |
| YR7SES | LDK7RTC3-7 |
| YR8SEU | LDK6RTC3 |
| ZGR6STE2 | UH7RTJY |
| ZQR8SI302 | UH5RAI |
| ZR5RPP33-S | UH7RTIP |
| ZR5SPP3320 | TORCH11 |
| ZR5SPP3320 | UL8RTI |
| ZR5TPP30 | UL8RKIP |
| ZR5TPP330 | UL8RKIP |
| ZR6NII3320 | UH7RTAIP |
| ZR6SI3320 | UH7RTIP |
| ZR6SII3320 | UH8RAIP |
| ZR7SI332S | UH6RAIP |
| ZR8TPP15 | UH5RAPP |
| BRISK | TORCH |
| AR10YC | B8RTC |
| AR12C | B7RC |
| B10C | D8C |
| B15YC | D5TC |
| BR10YP | D8RTP |
| BR12YC | DK7RTC |
| BR12YP | D7RTP |
| BR14YC | D6RTC |
| D14YC | K7TC |
| D15YC | K6TC |
| D17YC | K5TC |
| DR10YPP | K8RTPP |
| DR12YC | K7RTC |
| DR14YP | K6RTP |
| DR15TC | K6RTJC |
| DR15YC | K6RTC |
| DR16YC-1 | K5RTC-11 |
| DR17YC | K5RTC |
| DR18YC | K4RTC |
| ER14YPP | KH6RTPP |
| ER15YC | KH6RTC |
| FR14C | T6RC |
| FR15YPP | T5RTPP |

| BRISK | TORCH |
|-----------|------------|
| FR16YC-1 | T4RTC3-11 |
| G15YC | Q5TC |
| GR14YP-3 | Q6RTP-13 |
| GR16YC | Q4RTC |
| GR17YP | Q3RTP |
| H15YC | P5TC |
| HR14YC | P6RTC |
| HR16YP-1 | P4RTP-11 |
| HR17YC | P3RTC |
| L10C | F8C |
| L14C | F6C |
| L16YC | F4TC |
| L8C | F9C |
| LR12YP | F7RTP |
| LR15YP | F5RTP |
| LR17YC | F3RTC |
| LX15LTC-1 | F6RTJY-11 |
| N10C-1 | E8C-11 |
| N12YC | E7TC |
| N15YC | E6TC |
| N16C | E4C |
| N17YC | E5TC |
| N8C | E9C |
| NR14C | E6RC |
| NR15YC | E5RTC |
| RR12YPP | QH7RTPP |
| RR14YP-3 | QH6RTP-13 |
| NR15S | E6RC |
| RR15YC | QH5RTC |
| RR16YC-3 | QH4RTC3-13 |
| RR17YC-1 | QH3RTC3-11 |
| CHAMPION | TORCH |
| A5HC | D8TC |
| BL11Y | P5TC |
| BL15Y | P4TC |
| BN12Y | Q5TC |
| C11YC | K6TC |
| C57YC | K10TC |
| C59YC | K9TC |
| CJ6Y | L7TC |
| CJ8 | L5C |
| CJ8Y | L6TC |
| DJ7Y | N7TC |
| DJ8J | N7C |
| ELR9IQP10 | XL2022 |
| ELR9QC8 | XL2022 |
| F11YC | T5TC |

FOR REFERENCE ONLY

| CHAMPION | TORCH |
|-----------|-----------|
| F14Y | T5TC |
| FC82WYP-2 | ZT57-4 |
| H10C | H5C |
| J12YC | G5TC |
| J17LM | GL4 |
| J19LM | GL3 |
| J6C | G7C |
| KA8ZYCC-1 | DK7RTA |
| L77JC4 | E9C-10 |
| L82C | E7C |
| L82YC | E7TC |
| L95YC | E5TC |
| N11YC | F5TC |
| N3C | F8C |
| N79BYC | F7TJC |
| N79Y | F7TC |
| N9YC | F6TC |
| P10Y | C5T |
| P7 | C8 |
| QC12YC | K5LTC |
| QDJ7J | N7LC |
| QL77JC4 | E7LC-10 |
| QL78YC | E7LTC |
| RA5HC | D8RTC |
| RA5YC | DK8RTC |
| RA6HC | DK8RTC |
| RA6YC | D8RTC |
| RA7HC | D7RTC |
| RA7YC | DK7RTC |
| RA8HC | DK7RTC |
| RA8YC | D7RTC |
| RC10DMC4 | K6RDY |
| RC10YC4 | K6RTC-10 |
| RC12ECC | K5RTC7 |
| RC12LC4 | K5RTC5-10 |
| RC12LYC | K5RTC7 |
| RC12MC4 | K5RTC3-10 |
| RC12MCC | K5RTC3 |
| RC12YC | K5RTC |
| RC12YC5 | K5RTC-13 |
| RC12YX | K5RTC |
| RC59YC | K9RTC |
| RC6WYCBX | TORCH20 |
| RC78PY15 | ZT57L-4 |
| RC8PYCBX | K7RTP |
| RC8WYBPB4 | K7RTIP-10 |
| RC9YC5 | K6RTC-13 |

| CHAMPION | TORCH |
|--------------|--------------|
| RCJ6Y | L7RTC |
| RDJ7Y | N7RTC |
| RDJ8J | N7RC |
| RDZ19H | A3RTF |
| RE10PMC5 | 5QH5RTP3-13 |
| RE14MCC5 | 5QH4RTC3-13 |
| RE14PLP5 | 5QH4RTPP5-13 |
| REA12WMB4 | LD6RTAI-11 |
| REA6MC | LD8RTA |
| REA6ZWYPB-1 | LD8REIP |
| REA8MX | LD7RTA |
| REA8WYPB | LD7RTIP |
| REC10WMPB4 | KH6RTIP3-10 |
| REC12MCC4 | KH5RTC3-10 |
| REC8PYPB | KH6RTPP |
| REC9MCLX | KH6RTC3 |
| RER10YC | LDK6RTC |
| RER6WYPB | LDK8RTIP |
| RER8MC | LDK7RTA |
| RER8WMB | LDK7RTAI |
| RER8WYB | LDK7RTI |
| RER8ZWYCB4 | LDK7RAI-10 |
| RERX4ZWYPB-1 | UL8RTIP |
| RERX4ZWYPD-1 | UL8RTIP |
| RES9YCC4 | QH6RTC-10 |
| RET4WYPBX | YH8RTIP |
| RF10YC | T5RTC |
| RFN14LY | K4RTC7 |
| RG59 | B8RC |
| RH10C | H10RC |
| RJ12C | G5RC |
| RJ18YC | G4RTC |
| RJ18YC6 | G4RTC-15 |
| RJ19LM | GL3R |
| RL78 | E7RC |
| RL78YC | E7RTC |
| RL82YC | E6RTC |
| RL87YC | E5RTC |
| RL92YC | E4RTC |
| RN11YC | F5RTC |
| RN11YC4 | F5RTC-10 |
| RN12MC4 | F5RTC3-10 |
| RN12YC | F5RTC |
| RN3C | F8RC |
| RN9YC | F6RTC |
| RS12YC | Q5RTC |
| RS14LC | Q5RTC5 |

| CHAMPION | TORCH |
|------------|--------------|
| RS14YC6 | Q5RTC-15 |
| RV12YC | P5RTC |
| RV12YC4 | P5RTC-10 |
| RZ10Y | A6RTC |
| RZ7C | AC7R |
| S9YC | Q6TC |
| TZ5 | AC7 |
| XC12YC | K5RLTC |
| XC92YC | K5RLTC |
| Z10Y | A6TC |
| Z8 | A7C |
| Z8YC | A7TC |
| ELR11ISPC8 | LDK8RAIP |
| DENSO | TORCH |
| DXE22H11C | LD7RTII2-11F |
| FC20HR-Q8 | LD6RTII2-8 |
| FC22HR9-G | LD7RAII-9 |
| FK16R11 | K5RTII-11 |
| FK20HBR11 | KH6RTJII-11 |
| FK20HR | KH6RTII |
| FK20HR-A8 | KH6RTII-8 |
| FK20PR | K6RTII |
| FXE20HE11 | LD6RBII-11 |
| FXE20HR11 | LD6RTII2-11 |
| FXE24HR11 | LD8RTII-11 |
| FXU16HR11 | LDK5RTAII-11 |
| FXU22HR8 | LDK7RTAII-8 |
| GE3-1 | F8RTII |
| GK3-1A | ZT57-4 |
| GX8-1 | LDK8RTIP-7 |
| IK16TT | K5RII-11 |
| IK20 | K6RTI |
| IK20L | K6RGI-11 |
| IK20TT | K6RII-11 |
| IKH16 | KH5RTI-11 |
| IKH20 | KH6RTI-11 |
| IKH20TT | KH6RTII-11 |
| IR-3 | K8RTJIP |
| IT20 | Q6RTI |
| ITR6F13 | Q6RTI-13 |
| ITV16TT | QH5RTII-11 |
| ITV20 | QH6RTI |
| IU20 | B6RI |
| IXEH20TT | LD6RTII2-10 |
| IXU22 | DK7RTI |
| IXUH22 | LDK7RTI |
| IXUH22I | LDK7RAI |

FOR REFERENCE ONLY



| DENSO | TORCH |
|------------|------------|
| J16BR-U11 | F5RTC7-11 |
| J16B-U11 | F5TC7-11 |
| J16CR-U | F5RTA |
| K16GPR-U11 | K5RTS-11 |
| K16HPR-U11 | KH5RTC-11 |
| K16HR-U11 | KH5RTC2-11 |
| K16PR-L11 | K5RTCL-11 |
| K16PR-U | K5RTC |
| K16PR-U11 | K5RTC-11 |
| K16PSR-B8 | K5RTI-8 |
| K16P-U | K5TC |
| K16PZR13 | K5RTP-13 |
| K16R-U | K5RTC2 |
| K16R-U11 | K5RTC2-11 |
| K16TNR-S9 | K5RDYB-9 |
| K16TR11 | K5RD-11 |
| K16-U11 | K5TC2-11 |
| K20BR-S10 | K6RTJYA-10 |
| K20HPR-U | KH6RTC |
| K20HR-U11 | KH6RTC2-11 |
| K20PBR | K6RTJC |
| K20PBR-S10 | K6RTJYB-10 |
| K20PR-L11 | K6RTCL-11 |
| K20PR-U | K6RTC |
| K20PR-U11 | K6RTC-11 |
| K20P-U | K6TC |
| K20R-U | K6RTC2 |
| K20R-U11 | K6RTC2-11 |
| K20TMR | K6RD |
| K20TNR | K6RD |
| K20TNR-S | K6RDYB |
| K20TNR-S9 | K6RDYB-9 |
| K20TR11 | K6RD-11 |
| K20TXR | K6RDY |
| K22PB | K7TJC |
| K22PBR-S | K7RTJYB |
| K22PR-U | K7RTC |
| K22PR-U11 | K7RTC-11 |
| K22TNR-S | K7RDYB |
| K27PR-U | K9RTC |
| KJ14CR-L11 | K4RAL-11 |
| KJ16CR11 | K5RKC-11 |
| KJ16CR-L11 | K5RA-11 |
| KJ16CR-U11 | K5RTA-11 |
| KJ20CR11 | K6RKC-11 |
| KJ20CR-L11 | K6RAL-11 |
| KJ20CR-U11 | K6RTA-11 |

| DENSO | TORCH |
|------------|-------------|
| M22 | R7C |
| MA20PR-U | T6RTC |
| MA9P-U | T5TC |
| P20R-U | F6RTP |
| PK16TR13 | K5RDP-13 |
| PK20PR-U | K6RTP |
| PK20TR11 | K6RDP-11 |
| PK20TT | K6RTAP |
| PT16EPR13 | Q5RTPP-13 |
| PT16VR13 | QH5RTI-12 |
| PW20TT | F6RTAP |
| Q14R-U11 | 5K4RTC2-11 |
| Q16PR-U | 5K5RTC |
| Q16PR-U11 | 5K5RTC-11 |
| Q16P-U11 | 5K5TC-11 |
| Q16R-U | 5K5RTC2 |
| Q16R-U11 | 5K5RTC2-11 |
| Q20PR-U | 5K6RTC |
| Q20PR-U11 | 5K6RTC-11 |
| Q20P-U | 5K6TC |
| Q20P-U11 | 5K6TC-11 |
| Q20R-U | 5K6RTC2 |
| Q20R-U11 | 5K6RTC2-11 |
| Q20-U11 | 5K6TC2-11 |
| Q22PR-U | 5K7RTC |
| Q22PR-U11 | 5K7RTC-11 |
| QJ16AR-U | 5K5RTC5 |
| QJ16HR-U | 5K5RTC7 |
| SC16HR11 | LD6RTIP2-11 |
| SC20HR11 | LD7RTIP2-11 |
| SK16HR11 | KH5RTIP2-11 |
| SK20BGR11 | K6RBJIP-11 |
| SK20BR11 | K6RTJIP-11 |
| SK20HR11 | KH6RTIP-11 |
| SK20PR | K6RTIP |
| SK20R11 | K6RTIP2-11 |
| SXU22HCR11 | LDK7RTIP-11 |
| T20EPR-U | Q6RTC |
| T20EP-U | Q6TC |
| T20PR-U | P6RTC |
| U14FSR-UB | A4RT-S |
| U16FER9 | B6RH-9 |
| U16FSR-UB | A5RTC-S |
| U16FS-U | A5TC |
| U20EPR9 | B6RTC |
| U20EPR9S | B6RTC |
| U20ESR-N | B6RC |

| DENSO | TORCH |
|------------|-----------|
| U20FSR-U | A6RTC |
| U20FS-U | A6TC |
| U20M-U | A6S |
| U22EPR9 | B7RTC-9 |
| U22ES-N | B7C |
| U22ESR-N | B7RC |
| U22ETR | B7RDX |
| U22FER9 | B8RH-9 |
| U22FSR-U | A7RC |
| U22FS-U | A7C |
| U24EPR9 | B8RTC |
| U24ES-N | B8C |
| U24ESR-N | B8RC |
| U24ESR-NB | B8RC-S |
| U24ETR | B8RDX |
| U24FER9 | B9RH-9 |
| U24FSR-U | A8RTC |
| U27EPR9 | B9RTC-9 |
| U27ES-N | B9C |
| U27ESR-N | B9RC |
| U27ESR-NB | B9RC-S |
| U27ETR | B9RDX |
| U27FER9 | B10RH-9 |
| U31ESR-N | B10RC |
| VFXEH22 | LD7RII |
| VK20PR | K6RTIP |
| VXUH20 | LDK6RTIP |
| W14E | F5 |
| W14EPR-U | F4RTC |
| W14EP-U | F4TC |
| W14EXR-U | F4RTC2 |
| W14EXR-U11 | F4RTC2-11 |
| W14EX-U | F4TC2 |
| W14EX-U11 | F4TC2-11 |
| W14FP-U | E4TC |
| W14FP-UL | E5KC |
| W14FP-Us | E4TC |
| W14F-U | E4 |
| W14L | H5 |
| W14LMR-U | GL4RC |
| W14LM-U | GL5 |
| W14MP-U10 | L4T |
| W14MR-U | L4R |
| W14M-U | L4 |
| W14PR-U | G4RTC |
| W14-U | G5 |
| W16EPB10 | F5TJC |

FOR REFERENCE ONLY

| DENSO | TORCH |
|------------|-----------|
| W16EPR-U | F5RTC |
| W16EPR-U11 | F5RTC-11 |
| W16EP-U | F5TC |
| W16EP-U11 | F5TC-11 |
| W16ES-U | F5C |
| W16EXR-U | F5RTC2 |
| W16EXR-U11 | F5RTC2-11 |
| W16EX-U | F5TC2 |
| W16EX-U11 | F5TC2-11 |
| W16FPR-U | E5RTC |
| W16FP-U | E5TC |
| W16FP-Us | E5TC |
| W16FSR | E5RC |
| W16FS-U | E5C |
| W16PR-U | G5RTC |
| W16S-U | G5C |
| W20EPB | F7TJC |
| W20EPBR | F6RTJC |
| W20EPBR-S | F6RTJY |
| W20EPR-U | F6RTC |
| W20EPR-U11 | F6RTC-11 |
| W20EP-U | F6TC |
| W20EP-US | F6TC |
| W20ER-U | F6RC |
| W20ESR-U | F6RC |
| W20ES-U | F6C |
| W20ES-US | F6C |
| W20ETR.L | F6RTD |
| W20EXR-U | F6RTC2 |
| W20EXR-U11 | F6RTC2-11 |
| W20EX-U | F6TC2 |
| W20EX-U11 | F6TC2-11 |
| W20FPR-U | E6RTC |
| W20FP-U | E6TC |
| W20FP-Us | E6TC |
| W20FR-L | E6RCL |
| W20FSR-U | E6RC |
| W20FS-U | E6C |
| W20FS-US | E6C |
| W20MPR-U10 | L6RTC-10 |
| W20MP-U | L7TC |
| W20MR-U | L6R |
| W20M-U | L6 |
| W20M-US | L6S |
| W20P-U | G6TC |
| W20S-U | G6C |
| W20-U | G6C |

| DENSO | TORCH |
|------------|----------|
| W22EPR-U | F7RTC |
| W22EPR-U11 | F7RTC-11 |
| W22EP-U | F7TC |
| W22EP-US | F7TC |
| W22ESR-U | F7RC |
| W22ES-U | F7C |
| W22ES-US | F7C |
| W22FPR-U | E7RTC |
| W22FP-U | E7TC |
| W22FP-Us | E7TC |
| W22FP-Us10 | E7TC-10 |
| W22FSR | E7RC |
| W22FS-U | E7C |
| W22FS-U10 | E7C-10 |
| W22FS-US | E7C |
| W22MPR-U | L7RTC |
| W22MP-U | L7TC |
| W22M-U | L7C |
| W24EPR-U | F8RTC |
| W24EP-U | F8TC |
| W24EP-US | F8TC |
| W24ESR | F8RC |
| W24ESR-U | F8RC |
| W24ESR-V | F8RC |
| W24ES-U | F8C |
| W24ES-US | F8C |
| W24FPR-U10 | E8RTC-10 |
| W24FP-Us | E8TC |
| W24FP-Us10 | E8TC-10 |
| W24FR-L | E8RCL |
| W24FSR | E8RC |
| W24FSR-U10 | E8RC-10 |
| W24FS-U | E8C |
| W24FS-U10 | E8C-10 |
| W27EDR | F9RTQ |
| W27ESR | F9RC |
| W27ESR-U | F9RCU |
| W27ESR-V | F9RC |
| W27ES-U | F9CU |
| W27FSR | E9RC |
| W27FSR-U10 | E9RC-10 |
| W27FS-U | E9C |
| W27FS-U10 | E9C-10 |
| W31ESR-U | F10RC |
| W9EP | F3T2 |
| W9EXR-U | F3RT2 |
| W9EXR-UB | F3RTB2 |

| DENSO | TORCH |
|-----------|------------------|
| W9EX-U | F3T2 |
| W9FP-UL | E3K |
| W9LMR-US | G3R |
| W9LM-US | G3 |
| X20EPR-U9 | D6RTC-9 |
| X20FS-U | C6C |
| X22EPR-U | D7RTC |
| X22EPR-U9 | D7RTC-9 |
| X22EP-U | D7TC |
| X22ESR-U | D7RC |
| X22ES-U | D7C |
| X24EPR-U9 | D8RTC-9 |
| X24EP-U | D8TC-7 |
| X24EP-U9 | D8TC-9 |
| X24ESR-U | D8RC |
| X24ES-U | D8C |
| X24FS-U | C8C |
| X27EPR-U9 | D9RTC-9 |
| X27ESR-U | D9RC |
| X27ES-U | D9C |
| XE20HR-U9 | LD6RTC2-9 |
| XU20EPR-U | DK6RTC |
| XU20HR9 | LDK6RTC2-9 |
| XU22EPR-U | DK7RTC |
| XU22EP-U | DK7TC |
| XU22HDR9 | LDK7RTC-9 |
| XU22PR9 | DK7RTC-9 |
| XU22TT | DK7RTC |
| XU24EPR-U | DK8RTC |
| XU27EPR-U | DK9RTC |
| ZXE24HLR7 | TORCH24 |
| ZXE24HR7 | LD8RCIP |
| | NGK TORCH |
| 126CX | F6RTI |
| 155CX | KH5RTI |
| 156CX | KH6RTI |
| 815GP | K5RTC |
| 816GP | K6RTC |
| 826GP | F6RTC |
| 835GP | K5RTS |
| 836GP | K6RA |
| 847GP | DK7RTC |
| 855GP | KH5RTC |
| 856GP | KH6RTC |
| A5FS | T5C |
| A-6 | R6C |
| AP6FS | T6TC |

FOR REFERENCE ONLY



| NGK | TORCH |
|-------------|------------|
| APR6FS | T6RTC |
| AR5FS | T5RC |
| B4LM | GL4C |
| B6ES | F6C |
| B6HS | E6C |
| B-6L | H6C |
| B6S | G6C |
| BCP5ET | 5K5TJC |
| BCP6ES | 5K6TC |
| BCPR5EY-11 | 5K5RTC2-11 |
| BCPR6EIX-11 | 5K6RTI-11 |
| BCPR6ES | 5K6RTC |
| BCPR6EY | 5K6RF2 |
| BCRE527Y | 5K5RTC5 |
| BK6EYA-13 | K6RF2-13 |
| BKR5E | K5RF |
| BKR5EGP | K5RTI |
| BKR5EIX | K5RTI |
| BKR5EK | K5RDY |
| BKR5EKB-11 | K5RD-11 |
| BKR5EKC | K5RD |
| BKR5EKP-11 | K5RDP-11 |
| BKR5EKUP | K5RDP |
| BKR5EP11 | K5RTP-11 |
| BKR5EY | K5RF2 |
| BKR5EYA-11 | K5RF2-11 |
| BKR5EZ | K5RF |
| BKR5GP | K5RTI |
| BKR6E | K6RF |
| BKR6E-11 | K6RF-11 |
| BKR6E-11D | K6RF-11 |
| BKR6E-D | K6RF |
| BKR6EGP | K6RTI |
| BKR6EIX | K6RTI |
| BKR6EIX-11 | K6RTI-11 |
| BKR6EK | K6RDY |
| BKR6EKB-11 | K6RD-11 |
| BKR6EKC | K6RD |
| BKR6EKPA | K6RDP |
| BKR6EKP-11 | K6RDP-11 |
| BKR6EKUB | K6RDYA |
| BKR6EP-13 | K6RTP-13 |
| BKR6EQUA | TORCH1 |
| BKR6EQUP | K6RTQP |
| BKR6ES | K6RTC |
| BKR6ESZ-10 | K6RTC-10 |
| BKR6ETUB | K6RAJY-15 |

| NGK | TORCH |
|--------------|-----------|
| BKR6EY-11 | K6RF2-11 |
| BKR6EYA | K6RF2 |
| BKR6EYA-11D | K6RF2-11 |
| BKR6EYA-13D | K6RF-13 |
| BKR6EZ | K6RF |
| BKR6EZB | K6RF |
| BKR7E-11D | K7RF-11 |
| BKR7E-D | K7RF |
| BKR7EKC | K7RD |
| BKR7EQUP | TORCH1 |
| BKR7ESB | K7RTC |
| BKR7ESB-D | K7RTC |
| BKR8EQUA | TORCH1 |
| BKR-GAS | 5407-8 |
| BKUR5ET10 | K5RTJY |
| BKUR5ETC-10 | K5RBJY-10 |
| BKUR5ETC-10D | K5RBJY-10 |
| BKUR6ET | K6RTJY |
| BKUR6ETB | K6RTJC |
| BKUR6ETC-10 | K6rTJY |
| BKUR7ETB-10 | K7RTJY-10 |
| BM6A | L6C |
| BM6F | N6C |
| BMR6F | N6RC |
| BMR7A | L7RC |
| BP4S | G5TC |
| BP5E | F5F |
| BP5ES-A | F5TC3 |
| BP6EFS | Q6TC |
| BP6ES | F6TC |
| BP6EY | F6F |
| BP6FS | P6TC |
| BP6FS-D | P6TC |
| BP6S | G6TC |
| BP7HS | E7TC |
| BPM6F | N6TC |
| BPM7A | L7TC |
| BPMR6A | L6RTC |
| BPMR6F | N6RTC |
| BPMR8Y | L8RF |
| BPR4FS-11 | P4RTC-11 |
| BPR5E-11 | F5RF-11 |
| BPR5EFS-10 | Q5RTC-10 |
| BPR5EIX-11 | F5RTI-11 |
| BPR5ES | F5RTC |
| BPR5ES-11 | F5RTC-11 |
| BPR5EY | F5RF2 |

| NGK | TORCH |
|-------------|-----------|
| BPR5EY-11 | F5RTC2-11 |
| BPR5EY-D | F5RF2 |
| BPR5HS | E5RTC |
| BPR6E-11 | F6RF-11 |
| BPR6EFS | Q6RTC |
| BPR6EFS-11 | Q6RTC |
| BPR6EGP | F6RTI |
| BPR6EIX | F6RTI |
| BPR6EIX-11 | F6RTI-11 |
| BPR6EP | F6RTP |
| BPR6ES | F6RTC |
| BPR6ESZN | F6RTC |
| BPR6EVX | F6RTP |
| BPR6EY | F6RF |
| BPR6EY-D | F6RF |
| BPR6EYZ | F6RF |
| BPR6FS | P6RTC |
| BPR6HS | E6RTC |
| BPR6S | G6RTC |
| BPR7E-D | F7RF |
| BPR7ESZN | F7RTC |
| BPR7HS | E7RTC |
| BPR-GAS | 5307 |
| BR4LM | GL4RC |
| BR6EFS | Q6RC |
| BR6ES | F6RC |
| BR6ES-D | F6RC |
| BR6FS | P6RC |
| BR6HS | E6RC |
| BR6S | G6RC |
| BR7EIX | F6RI |
| BR7ES-D | F6RC |
| BR8ES-D | F8RC |
| BRE527Y-11 | F5RTC7-11 |
| BRE529Y | F5RTC9 |
| BUR5ETB-10 | F5RTJY-10 |
| BUR6ET | F6RTJY |
| BUR7ETB-10 | F7RTJC |
| BUR7ETB-10D | F7RTJY-10 |
| C7HSA | A7C |
| C8E | B8C |
| CM-6 | A6S |
| CMR5H | AC5R |
| CMR6A | AM6R |
| CMR7H | AC7R |
| CPR8EA-9 | B8RTC-9 |
| CPR8EIX | B8RTI |

FOR REFERENCE ONLY

| NGK | TORCH |
|--------------|-------------|
| CR7E | B7RC |
| CR7EIX | B7RI |
| CR7EK | B7RDX |
| CR7HIX | A7RI |
| CR7HSA | A7RC |
| CR8E | B8RC |
| CR8EH | B8RH |
| CR8EIX | B8RTI |
| CR8EK | B8RDX |
| CR9EH-9 | B9RH-9 |
| CR9EKB | B9RDX |
| D7EA-9 | D7C |
| D8EA | D8C |
| D8HS | C8C |
| DCPR6EIX | DK6RTI |
| DCPR7E | DK7RTC |
| DCPR7EA-9 | DK7RTC-9 |
| DCPR7EGP | DK7RTI |
| DCPR7EIX | DK7RTI |
| DCPR8EKP | DK8RDP |
| DCPR8E-N | DK8RTC |
| DF6H-11B | LD6RTII-11 |
| DF7H-11B | LD7RTII-11 |
| DFH6B-11A | KH6RTJII-11 |
| DIFR5C11 | K5RTII2-11 |
| DIFR6B11 | K6RTII2-11 |
| DIFR6B-11D | K6RTII |
| DIFR6C11 | K6RTII-11 |
| DIFR6D13 | K6RTII-13 |
| DILFR5A11 | KH5RTII2-11 |
| DILFR6D11 | KH6RTII2-11 |
| DILFR7B10G | KH6RTII-10 |
| DILFR7K9G | KH7RTII |
| DILKAR6A11 | LD6RTII-11 |
| DILKAR6T8 | LD6REII-11 |
| DILKAR7A11 | LD7II |
| DILKAR7C9H | LD7RDII |
| DILKAR7D11H | LD7RDII-11 |
| DILKAR7E9HS | LD7EII-9 |
| DILKAR7F8 | LD7RTII-8 |
| DILKAR7G11DS | LD7II-11 |
| DILKAR7G11GS | LD7II-11 |
| DILKAR7H11GS | LD7II-11 |
| DILKAR7Q8D | LD7RTII-8 |
| DILKAR8J9G | LD8RTII-9 |
| DILKAR8L8D | LD8RTII-8 |
| DILKAR8P8SY | VL8RSII-8 |

| NGK | TORCH |
|--------------|--------------|
| DILKR6A11 | LDK6RII-11 |
| DILKR6D11G | LDK6RTAII-11 |
| DILKR7C11 | LDK7RTII-11 |
| DILZKAR6A11 | LD6RBII-11 |
| DILZKAR7C11S | LD7RBII-11 |
| DILZKAR7D11S | LD7RBII-11 |
| DILZKR7A11G | LDK7RBII-11 |
| DIMR8A10 | B8RTII-10 |
| DP8EA | D8TC |
| DPR7EA | D7RTC |
| DPR8EIX-9 | D8RTI-9 |
| DR7EA | D7RC |
| DR7HS | C7RC |
| DR8EGP | D8RI |
| DR8EIX | D8RTI |
| ER8EH | S8RHT |
| FR4 | K4RF2 |
| FR5EI | K5RTI |
| FR6E-D | K6RTC |
| FR6EI | K6RTI |
| FR6F-11DK | K6RF-11 |
| FR7D-DEG | K7rTC |
| FR7DP-DEG | K7rTP |
| HB6BIX11P | K6RTJIP |
| IFER7C4D | WT58-3 |
| IFR5D10 | K5RTIP |
| IFR5E-11D | K5RTIP-11 |
| IFR5E13 | K5RTIP-13 |
| IFR5G11 | K5RTIP-11 |
| IFR5J11 | K5RTIP-11 |
| IFR5N10 | K5RTIP-10 |
| IFR5T11 | K5RTIP2-11 |
| IFR6A | K6RTIP |
| IFR6AD7-DG | K6RTIP-7 |
| IFR6B-K | K6RTIP |
| IFR6D10 | K6RTIP-11 |
| IFR6N | K6RTIP |
| IFR6Q-G | K6RAIP |
| IFR6T11 | K6RTIP2-11 |
| IFR6Z7G | K6RTIP-7 |
| IFR7F4D | ZT57-4 |
| IFR7U4D | ZT57-4 |
| IFR7X7G | TORCH1 |
| IGR6A11 | F6RTIP-11 |
| IJR7A9 | D7RTIP-9 |
| IKR6G11 | DK6RTIP-11 |
| IKR7D | DK7RTIP |

| NGK | TORCH |
|--------------|-------------|
| IKR9F8 | TORCH16 |
| IKR9H8 | TORCH16 |
| IKR9J8 | TORCH16 |
| ILFER7D4D | ZT77-3 |
| ILFR5B-11 | KH5RTIP-11 |
| ILFR5T11 | KH5RTIP2-11 |
| ILFR6A | KH6RTIP |
| ILFR6B | KH6RTIP |
| ILFR6J-11K | KH6RTIP-11 |
| ILFR6T11 | KH6RTIP-11 |
| ILFR7L11D | KH7RTIP-11 |
| ILKAR7A4D | ST87-3 |
| ILKAR7A7 | LD7RTIP-7 |
| ILKAR7B11 | LD7RTIP-11 |
| ILKAR7C10 | LD7RTIP-10 |
| ILKAR7D6G | LD7RTIP-6 |
| ILKAR7F7G | LD7RTIP-7 |
| ILKAR7J7G | LD7RTIP-7 |
| ILKAR7K11S | LD7RTIP |
| ILKAR7L11 | LD7RTIP-11 |
| ILKAR8N8 | LD8RTIP |
| ILKER7A8EGS | LDK7RBIP-8B |
| ILKER8C7G | TORCH25 |
| ILKFR7A8D | LD7RTAIP-B |
| ILKFR7C4D | YT97-3 |
| ILKFR8B7G | LD8RBIP |
| ILKFR8B-G | TORCH23 |
| ILKGR8A | UL8RBIP |
| ILKR7B8 | LDK7RTIP-8 |
| ILKR8P8 | TORCH9 |
| ILKR8P8(NEW) | TORCH29 |
| ILKR8R8 | TORCH9 |
| ILMAR8C9D | BN8RTIP-9 |
| ILNAR8B7G | TORCH8 |
| ILNFR7A7G | TORCH28 |
| ILNFR8A7G | TORCH30 |
| ILTR4A15 | QH4RTIP-15 |
| ILTR5A-13 | QH5RTIP-13 |
| ILTR5A-13G | QH5RTIP-13 |
| ILTR5B11 | QH5RTIP-11 |
| ILTR5C | QH5RTIP |
| ILTR5D | QH5RIP |
| ILTR5E11 | QH5RTIP-11 |
| ILTR5L11 | QH5RTIP-11 |
| ILTR6A-13G | QH6RTIP-13 |
| ILTR6A-8G | QH6RTIP-8 |
| ILTR6B11 | QH6RIP-11 |

FOR REFERENCE ONLY



| NGK | TORCH |
|-------------|-------------|
| ILTR6E11 | QH6RIP-11 |
| ILTR6G8G | TORCH7 |
| ILTR6H8G | TORCH7 |
| ILTR6J11 | QH6RTIP-11 |
| ILTR6J8 | TORCH7 |
| ILTR6M9G | TORCH27 |
| ILTR7J8 | QH7RTIP-8 |
| ILZFR5B | KH5RTIP3 |
| ILZFR6C-11K | KL6RTIP-11 |
| ILZFR6D11 | KH6RTIP3-11 |
| ILZKAR7A10 | LD7RAIP-10 |
| ILZKAR7E11S | LD7RBIP-11 |
| ILZKAR8G8 | TORCH13 |
| ILZKAR8H8S | TORCH13 |
| ILZKAR8J8SY | TORCH13 |
| ILZKAR8L7G | TORCH13 |
| ILZKBR7B8DG | UH7RAIP |
| ILZKR6A | LDK6RCIP |
| ILZKR7A | LDK7RCIP |
| ILZKR7B11 | LDK7RBIP |
| ILZKR7B11GS | LDK7RBIP |
| ILZKR7B-11S | LDK7RBIP-11 |
| ILZKR7G7G | LDK7RBIP-7 |
| ILZKR7K8 | LDK7RBIP-8 |
| ILZKR8A | LDK8RCIP |
| ILZNAR8A7G | TORCH26 |
| ILZTR6A8G | TORCH17 |
| IMR9C-9H | B9RHI-9 |
| ITR4A15 | Q4RTIP-15 |
| ITR6F13 | Q6RTIP-13 |
| ITR7J9D | Q7RTIP-9 |
| IZFR5J | K5RTIP9 |
| IZFR5K11 | K6RBIP-11 |
| IZFR6H-11 | K6RAIP-11 |
| IZFR6K11 | K6RBIP-11 |
| IZFR6K11DS | K6RBIP-11 |
| IZFR6K11NS | K6RBIP-11 |
| IZFR6K11S | K6RBIP-11 |
| IZFR6K13 | K6RBIP-13 |
| IZFR6K13DN | K6RBIP-13 |
| IZFR6K-S11 | K6RBIP-11 |
| IZFR6P7 | K6RTSIP-7 |
| IZFR6Q | K6RTIP9 |
| IZKR7B | DK7RCIP |
| IZKR8C10D | DK8RTAIP-10 |
| IZTR4A11 | Q4RTAIP-11 |
| IZTR5B11 | Q5RTAIP-11 |

| NGK | TORCH |
|------------|------------|
| JR9C | D9RDX |
| KER7A-8DEG | DK7rTB-8 |
| KR6A | DK6RTC |
| KR6A-10 | DK6RTC-10 |
| KR8B-10D | DK8RTC-10 |
| LFR5A | KH5RF |
| LFR5AGP | KH5RTP |
| LFR5AIX-11 | KH5RTI-11 |
| LFR5B | KH5RF |
| LFR5E11 | KH5RTC-11 |
| LFR6A | KH6RF |
| LFR6AIX-11 | KH6RTI |
| LFR6B | KH6RF |
| LFR6B-D | KH6RF |
| LFR6C-11 | KH6RF2-11 |
| LFR6CGP | KH6RTI2 |
| LFR6D | KH6RTJC |
| LFR7AIX-P | KH7RTI |
| LKAR6AGP | LD6RTI |
| LKAR7B-11 | LD7RTC-11 |
| LKAR7CI-8 | LD7RTI-8 |
| LKAR8A-9 | LD8RTC-9 |
| LKAR8CI-8 | TORCH5 |
| LKAR9BI9 | LD8RTI |
| LKR6C-11 | LDK6RTA-11 |
| LKR6D-10E | LDK6RTC-10 |
| LKR6F-10 | LDK6RTC |
| LKR7BGP-S | LDK7RTI |
| LKR7D-DE | LDK7RTC |
| LKR7E | LDK7RTC |
| LKR7FI-8 | LDK7RTI-8 |
| LKR8A | LDK8DY |
| LKR8AP | LDK8RBP |
| LKR8GI-8 | TORCH9 |
| LKR8HI8 | LDK8RCI-8 |
| LMAR8AI-8E | BN8RTI-8 |
| LNAR7A-9G | YH7RTC-9 |
| LTR5BI-13 | QH5RTI-13 |
| LTR5GP | QH5RTI |
| LTR6AI-8 | TORCH7 |
| LTR6AI-9 | QH6RTI-9 |
| LTR6BI-9 | TORCH27 |
| LTR6DI-8 | TORCH7 |
| LTR6GP | QH6RTI |
| LTR7A-10 | QH7RF-10 |
| LTR7IX-11 | QH7RTI-11 |
| LZFR5BI-11 | KL5RTI-11 |

| NGK | TORCH |
|-------------|-------------|
| LZFR5F | KL5RTC |
| LZFR6AI | KL6RTI |
| LZFR6AP11GS | KH6RKIP |
| LZKAR6AI | LD6RTAI |
| LZKAR6AP-11 | LD6RTAP-11 |
| LZKAR6C-11 | LD6RTA-11 |
| LZKAR7A | LD7RTA |
| LZKAR7A-D | LD7RTA |
| LZKAR7AP | LD7RTAP |
| LZKAR7B-11 | LD7RTA-11 |
| LZKAR7D-9D | LD7RTA |
| LZKAR7D-DE | LD7RTC |
| LZKAR7E-9 | LD7RTA-9 |
| LZKR6AGP-E | LDK6RTI |
| LZKR6AI-10G | LDK6RTAI-10 |
| LZKR6B-10E | LDK6RTA-10 |
| LZKR7B | LDK7RTA |
| LZKR7D-DE | LDK7RTC |
| LZKR8B-DE | LDK7RKC |
| LZTR4A11 | 5QH4RTC-11 |
| MR7C-9N | B7RTCX-9 |
| MR8BI-8 | B8RI-8 |
| MR8D9 | B8RTC-9 |
| PFR5B-11 | K5RTPP-11 |
| PFR5G-11 | K5RTPP-11 |
| PFR5J-11 | K5RTPP-11 |
| PFR5N-11 | K5RTPP-11 |
| PFR5R-11 | K5RTPP-11 |
| PFR6A | K6RTPP |
| PFR6AC8G | K6RTPP-8 |
| PFR6B | K6RTPP |
| PFR6B-11B | K6RTSAPP-11 |
| PFR6G-11 | K6RTPP-11 |
| PFR6Q | K6RTPP |
| PFR6W-T | K6RTJPP |
| PFR6W-TG | K6RTJPP |
| PFR6X-11 | K6RTPP-11 |
| PFR6Y | K6RTPP |
| PFR7B4D | ZT57-4 |
| PFR7B-D | K7RTPP |
| PFR7Q | TORCH1 |
| PFR7S8EG | TORCH1 |
| PFR7W-T | K7RTJPP |
| PFR8B | K8RTIP |
| PFR8S8EG | TORCH2 |
| PGR5C-11 | F5RTPP-11 |
| PKER7A8DES | DK7RBIP |

FOR REFERENCE ONLY

| NGK | TORCH |
|-------------|-------------|
| PKER7A8EG | DK7rBPP |
| PKER7A8EGS | TORCH4 |
| PLFER7A8 | KH7RAIP |
| PLFER7A8EG | TORCH12 |
| PLFR5A-11 | KH5RTIP-11 |
| PLFR6A11 | KH6RTPP-11 |
| PLKR6A | LDK6RTPP |
| PLKR7A | LDK8RTIP |
| PLKR7B8E | LDK7RTPP-8 |
| PLTR6A-10G | QH6RTPP-10 |
| PLZ6KAR11 | LD6RTIP-11 |
| PLZFR6A11S | KH6RKIP |
| PLZFR6A-11S | KH6RTPP3-11 |
| PLZKAR6A-11 | LD6RTPP-11 |
| PLZKAR7A8D | LD7RAPP-8 |
| PLZKBR7B8DG | UH7RTPP |
| PLZKBR7B8G | UH7RAIP |
| PLZTR5A-13 | QH5RTPP-13 |
| PMR7A | B7RTPP |
| PTR4G-13 | Q4RTIP |
| PTR5A13 | QH5RTI-12 |
| PTR5A-13 | QH5RTPP-13 |
| PTR5D10 | Q5RTPP |
| PTR6D-13 | Q6RTPP-13 |
| PTR6D-13G | Q6RTIP-13 |
| PTR6F-13 | Q6RTPP-13 |
| PZFR5D-11 | K5rTSPP-11 |
| PZFR5F-11 | K5RAIP-11 |
| PZFR5N11T | K5RTJPP-11 |
| PZFR6F | K6RGPP |
| PZFR6H | K6RTPP9 |
| PZFR6R | TORCH3 |
| PZKER7A8EGS | TORCH18 |
| PZKER7B8EGS | TORCH18 |
| PZTR5A-15 | Q5RTPP3-15 |
| SIFR6A11 | K6RTIP-11 |
| SIFR6B7G | K6RTIP2-7 |
| SILFR6A11 | KH6RTIP-11 |
| SILFR6C11 | KH6RTIP2-11 |
| SILKAR8C6DS | LD8RTIP-6 |
| SILKR7E7G | LDK7RTIP-7 |
| SILKR7H8 | LDK7RTIP-8 |
| SILKR8E7G | LDK8RTIP-7 |
| SILMAR9A9S | BN9RTIP-9 |
| SILNAR9C7DG | YH9RTIP |
| SILTR6A7G | QH6RTI |
| SILZKAR7B | LD7RAIP |

| NGK | TORCH |
|----------------|--------------|
| SILZKAR7E8S | TORCH14 |
| SILZKBR8C8S | UL8RKIP |
| SILZKBR8D8S | UL8RKIP |
| SILZKBR8E8S | UL8RKIP |
| SILZKER8A8E | TORCH19 |
| SILZKFR8C7S | LD8RKIP |
| SILZKFR8D7 | LD8RKIP |
| SILZKFR8D7S | LD8RKIP |
| SILZKFR8E7S | LD8RKIP |
| SILZKGR8B8S | UL8RTIP |
| SILZKR6B10E | LDK6RAIP-10 |
| SILZKR6B-11 | LDK6RTIP |
| SILZKR6D8E | LDK6RAIP-8 |
| SILZKR7AS | LDK7RAIP |
| SILZKR7A-S | LDK7RTIP |
| SILZKR7B11 | LDK7RAIP-11 |
| SILZKR7C-11DS | LDK7RBIP-11 |
| SILZKR7C11S | LDK7RBIP-11 |
| SILZKR7G8DE | LDK7RTIP |
| SILZKR8E8D | LDK8RAIP |
| SILZKR8E8G | TORCH10 |
| SILZKR8J8GS | LDK8RBIP-8F |
| SILZNAR6D9 | YH6RAIP-9 |
| SILZNAR8C7H | TORCH6 |
| SILZNAR8E7H | TORCH6 |
| SIZFR6B8EG | K6rEIP-T |
| TR4IX | Q4RTIP |
| TR5 | Q5RF2 |
| TR5-1 | QS5RF2-10 |
| TR55 | Q5RF2-15 |
| TR55GP | Q5RTI2-15 |
| TR55IX | Q5RTI2-15 |
| TR5A-13 | QH5RTC-13 |
| TR5AI-13 | Q5RTI-13 |
| TR5B-13 | QH5RTC-13 |
| TR5IX | Q5RTI |
| TR6AP-13 | Q6RTP-13 |
| TR6B-10 | QH6RTC-10 |
| TR6B-13 | QH6RTC-13 |
| TR6IX | Q6RTI |
| TR7B-10 | QH7RTC-10 |
| UR5 | P5RF2 |
| WR5IX | T5RTI |
| YURAELR9IQP11S | LDK7RAIP-11F |
| ZFR5E-11 | K5RTS-11 |
| ZFR5EGP | K5RTSI |
| ZFR5EIX-11 | K5RTSI-11 |

| NGK | TORCH |
|-------------|------------|
| ZFR5F | K5RA |
| ZFR5F-11 | K5RA-11 |
| ZFR5FIX-11 | K5RTAI-11 |
| ZFR5J-11 | K5RA-11 |
| ZFR5LP13G | K4RTI5-13 |
| ZFR5N | K5RTC5 |
| ZFR5P-G | K5RTS |
| ZFR6BP-G | K6RGI |
| ZFR6EIX-11 | K6RTSI-11 |
| ZFR6F-11 | K6RA-11 |
| ZFR6FIX-11 | K6RGI-11 |
| ZFR6J-11 | K6RTC2-11 |
| ZFR6K-11 | K6RB-11 |
| ZFR6P-11 | K6rTS-11 |
| ZFR6T-11G | K6rTS-11 |
| ZFR6U-9 | K6RAF-9 |
| ZFR6V-G | K6RG |
| ZFR7R-G | K7rA |
| ZGR7GI-13G | F7RBI-13 |
| ZKBR7A | UH7RTC |
| ZKER6A-10EG | DK7RTA-10 |
| ZKR7A-10 | DK7RTC3-10 |
| ZKR7B-10 | DK7RTC3-10 |
| ZKR7BI-10 | DK7RBI-10 |
| ZKR8B-10 | DK8RTC3-10 |

FOR REFERENCE ONLY



| | Model | Engine CC | Year | Type engine | EFFECTIVE | PLATINUM | IRIDIUM |
|--------------|--------------|-----------|-----------|-------------|-----------|----------|----------|
| AUDI | A1 | 1.4T | 2013~2017 | CNVA | | | TORCH3 |
| | A3 Cabriolet | 2.0T | 2017~2020 | CZP | | | KH7RJII |
| | A4 | 1.8T | 2011~2015 | CJEB | | | KH7RJII |
| | A5 Coupe | 3.2 | 2010~2013 | CAL | | | K6RIU |
| | A5 Coupe | 3.0T | 2014~2015 | CHM | | | A2 |
| | A5 Coupe | 1.8T | 2016~2017 | CJE | | | KH7RJII |
| | A5 Coupe | 2.0T | 2019~2020 | DKY | | | KH7RJII |
| | A7 Sportback | 2.0T | 2019~2020 | DLH | | | KH7RJII |
| | A8L | 4.0T | 2012~2014 | CEU | | | A4 |
| | A8L | 3.0T | 2012~2014 | CMD | | | A2 |
| | A8L | 2.0T | 2017~2018 | CYP | | | KH7RJII |
| | Q3 | 2.0T | 2014~2017 | CPSA | | | K7RHII |
| | Q5 | 3.0T | 2013~2018 | CTV | | | A2 |
| | Q7 | 3.0T | 2018~2020 | CRE | | | A2 |
| | Q7 | 2.0T | 2020~2022 | CYR | | | A4 |
| | Q8 | 2.0T | 2020~2021 | DMF | | | KH7RJII |
| | R8 Coupe | 5.2 | 2017~2021 | CSP | | | K7RHII |
| | RS4 Avant | 2.9T | 2021~ | DEC | | | UH9RKII |
| | RS5 Coupe | 2.9T | 2020~2021 | DEC | | | UH9RKII |
| | S3 | 2.0T | 2017~2019 | DJH | | | KH7RJII |
| | S4 Limousine | 3.0T | 2022~ | CWG | | | UH9RKII |
| | S5 Sportback | 3.0T | 2017~ | CWG | | | UH9RKII |
| S6 | 4.0T | 2013~2016 | CEU | | | A4 | |
| S7 Sportback | 4.0T | 2012~2015 | CEU | | | A4 | |
| SQ5 | 3.0T | 2016~2017 | CTX | | | A2 | |
| TT Coupe | 2.0T | 2017~2020 | CHH | | | KH7RJII | |
| TT Coupe | 1.8T | 2017~2020 | CJS | | | KH7RJII | |
| FAW AUDI | A4L | 3.2 | 2011~2011 | CAL | | | K6RIU |
| | A4L | 1.8T | 2015~2016 | CCU | | | A1 |
| | A4L | 3.0T | 2014~2015 | CHM | | | A2 |
| | A4L | 1.4T | 2018~2020 | CVN | | | DK7RHII |
| | A4L | 2.0T | 2018~2020 | DKU | | | A4 |
| | A4L | 2.0T | 2018~ | DKW | | | KH7RJII |
| | A4L | 2.0T | 2020~ | DTA | | | A4 |
| | A6L | 2.4 | 2011~2012 | BDW | | | K6RIU |
| | A6L | 3.0T | 2011~2012 | CAJ | | | A2 |
| | A6L | 2.8 | 2011~2012 | CCE | | | K6RIU |
| | A6L | 2.0T | 2015~2016 | CDN | | | K7RHII |
| | A6L | 3.0T | 2014~2016 | CTT | | | A2 |
| | A6L | 2.5 | 2018~2019 | CLX | | | A1 |
| | A6L | 3.0T | 2017~2018 | CTD | | | A2 |
| | A6L | 2.0T | 2018~2019 | CUH | | | KH7RJII |
| | A6L | 1.8T | 2018~2019 | CYY | | | KH7RJII |
| | A6L | 2.0T | 2021~2022 | DKW | | | A4 |
| | Q2L | 1.4T | 2018~ | CSS | | | DK7RHII |
| | Q3 | 1.4T | 2019~2020 | CSS | | | DK7RHII |
| | Q3 | 2.0T | 2019~2020 | DBR | | | KH7RJII |
| | Q3 | 1.4T | 2019~ | DJS | | | DK7RHII |
| | Q3 | 2.0T | 2020~ | DPL | | | A4 |
| Q5 | 2.0T | 2018~2018 | CUH | | | KH7RJII | |
| BENZ | A 160 | 1.5 | 2010~2013 | 266 920 | | | A1 |
| | A 180 | 1.6T | 2013~2018 | 270 910 | | | LD8RMII |
| | A 200 | 1.6T | 2013~2018 | 270 910 | | | LD8RMII |
| | A 260 | 2.0T | 2013~2015 | 270 920 | | | LD8RMII |
| | B 180 | 1.6T | 2012~2015 | 270 910 | | | LD8RMII |
| | B 200 | 1.6T | 2012~2019 | 270 910 | | | LD8RMII |
| | B 260 | 2.0T | 2018~2019 | 270 920 | | | LD8RMII |
| | C 180 | 1.8T | 2011~2013 | 271 820 | | | LDK8RHII |
| | C 200 | 2.0T | 2017~2019 | 264 920 | | | C3 |
| | C 250 CGI | 1.8T | 2011~2013 | 271 860 | | | LDK8RHII |



| | Model | Engine CC | Year | Type engine | EFFECTIVE | PLATINUM | IRIDIUM | |
|----------------|----------------------|----------------|-----------|------------------|-----------|----------|----------|----------|
| BENZ | C 300 | 2.0T | 2017~2019 | 264 920 | | | C3 | |
| | C 350 | 3.5 | 2011~2012 | 272 961 | | | LDK8RHII | |
| | CLA 180 | 1.6T | 2016~2018 | 270 910 | | | LD8RMII | |
| | CLA 220 4MATIC | 2.0T | 2018~2020 | 270 920 | | | LD8RMII | |
| | CLA 250 | 2.0T | 2012~2018 | 270 920 | | | LD8RMII | |
| | CLA 260 4MATIC | 2.0T | 2018~2020 | 270 920 | | | LD8RMII | |
| | CLA 45 AMG 4MATIC | 2.0T | 2014~2020 | 133 980 | | | C3 | |
| | CLS 260 | 2.0T | 2015~2016 | 274 920 | | | LD8RMII | |
| | CLS 350 CGI | 3.5 | 2011~2015 | 276 952 | | | UH8RHII | |
| | E 200 | 2.0T | 2018~2020 | 274 920 | | | LD8RMII | |
| | E 250 Tourer | 2.0T | 2012~2018 | 274 920 | | | C3 | |
| | E 400 Coupe | 3.0T | 2016~2017 | 276 820 | | | LD8RMII | |
| | Forfour | 1.0 | 2018~2020 | H4DA401(281 920) | | | TORCH5 | |
| | Fortwo Cabrio | 1.0 | 2016~2018 | H4DA401(281 920) | | | TORCH5 | |
| | G 350 | 2.0T | 2020~2021 | 264 920 | | | C3 | |
| | GLA 250 | 2.0T | 2014~2017 | 270 920 | | | LD8RMII | |
| | GLA 260 4MATIC | 2.0T | 2015~2015 | 270 920 | | | LD8RMII | |
| | GLA 45 AMG 4MATIC | 2.0T | 2014~2020 | 133 980 | | | C3 | |
| | GLC 200 Coupe 4MATIC | 2.0T | 2016~2018 | 274 920 | | | LD8RMII | |
| | GLC 43 AMG 4MATIC | 3.0T | 2017~2020 | 276 823 | | | C3 | |
| | GLE 400 4MATIC | 3.0T | 2018~2019 | 276 821 | | | LD8RMII | |
| | GLE 500 e 4MATIC | 3.0T | 2016~2018 | 276 821 | | | LD8RMII | |
| | GLK 350 4MATIC | 3.5 | 2010~2013 | 272 971 | | | LDK8RHII | |
| | ML 300 4MATIC | 3.5 | 2012~2013 | 276 955 | | | UH8RHII | |
| | ML 400 4MATIC | 3.0T | 2015~2015 | 276 821 | | | LD8RMII | |
| | R 300 | 3.0 | 2010~2011 | 272 945 | | | LDK8RHII | |
| | R 300 L | 3.0 | 2013~2014 | 272 945 | | | LDK8RHII | |
| | R 350 4MATIC | 3.5 | 2010~2012 | 272 967 | | | LDK8RHII | |
| | S 300 L | 3.0 | 2012~2013 | 272 946 | | | LDK8RHII | |
| | S 400 4MATIC | 3.0T | 2015~2017 | 276 824 | | | LD8RMII | |
| | SL 300 | 3.0 | 2011~2013 | 272 949 | | | LDK8RHII | |
| | SLC 200 | 2.0T | 2016~2018 | 274 920 | | | LD8RMII | |
| | SLC 300 | 2.0T | 2018~2021 | 274 920 | | | LD8RMII | |
| | SLK 200 | 1.8T | 2011~2016 | 271 861 | | | LDK8RHII | |
| | SLK 300 | 3.0 | 2010~2013 | 272 942 | | | LDK8RHII | |
| | V 250 | 2.0T | 2014~2020 | 274 920 | | | C3 | |
| | Viano | 3.5 | 2011~2015 | 272 978 | | | LDK8RHII | |
| | BEIJING BENZ | C 260 L | 2.0T | 2014~2015 | 274 920 | | | C3 |
| | | E 180 L | 2.0T | 2014~2015 | 274 920 | | | LD8RMII |
| | | E 200 L 4MATIC | 2.0T | 2016~2018 | 274 920 | | | LD8RMII |
| | | E 200 L CGI | 1.8T | 2011~2012 | 271 860 | | | LDK8RHII |
| | | E 260 L 4MATIC | 2.0T | 2021~2022 | 264 920 | | | C3 |
| | | E 300 L | 2.0T | 2017~2019 | 274 920 | | | LD8RMII |
| | | E 320 L | 3.0T | 2014~2016 | 276 820 | | | C3 |
| | | E 400 L 4MATIC | 3.0T | 2014~2016 | 276 820 | | | C3 |
| GLA 200 | | 1.6T | 2015~2020 | 270 910 | | | LD8RMII | |
| GLA 220 4MATIC | | 2.0T | 2019~2020 | 270 920 | | | LD8RMII | |
| GLK 200 | | 2.0T | 2014~2015 | 274 920 | | | LD8RMII | |
| GLK 300 4MATIC | | 3.0 | 2014~2015 | 272 948 | | | LDK8RHII | |



| | Model | Engine CC | Year | Type engine | EFFECTIVE | PLATINUM | IRIDIUM | |
|---------------|------------------------|--------------------|-----------|-------------|-----------|----------|---------|---------|
| FUJIAN BENZ | V 260 | 2.0T | 2016~2017 | 274 920 | | | LD8RMII | |
| | 118i | 1.5T | 2017~2019 | B38B15A | | | B5+ | |
| | 120i | 2.0T | 2017~2019 | B48B20A | | | UL8RLII | |
| | 125i | 2.0T | 2017~2019 | B48B20B | | | B5+ | |
| | 340i xDrive | 3.0T | 2015~2018 | B58B30A | | | B5+ | |
| | 520i | 2.0T | 2016~2018 | N20B20B | | | B1 | |
| | 525i | 2.0T | 2016~ | B48B20A | | | UL8RLII | |
| | 528i xDrive | 2.0T | 2016~2018 | N20B20A | | | B1 | |
| | 530i | 2.0T | 2021~2022 | B48B20B | | | B5+ | |
| | 535i | 3.0T | 2016~2018 | N55B30A | | | UL8RKII | |
| | 540i | 3.0T | 2019~ | B58B30C | | | B5+ | |
| | 730Li | 2.0T | 2021~2022 | B48B20B | | | UL8RLII | |
| | 740Li | 3.0T | 2022~2022 | B58B30C | | | UL8RLII | |
| | 840i xDrive Gran Coupe | 3.0T | 2021~2022 | B58B30C | | | UL8RLII | |
| | Cooper Cabrio | 1.5T | 2015~ | B38A15A | | | UL8RLII | |
| | Cooper Countryman | 1.5T | 2022~2022 | B38A15A | | | B5+ | |
| | Cooper S Countryman | 1.6T | 2016~2017 | N18B16A | | | UH7RJII | |
| | GT 320i | 2.0T | 2014~2016 | N20B20B | | | UL8RKII | |
| | GT 328i | 2.0T | 2014~2016 | N20B20A | | | UL8RKII | |
| | GT 330i xDrive | 2.0T | 2019~2020 | B48B20B | | | B5+ | |
| | GT 335i | 3.0T | 2014~2016 | N55B30A | | | UL8RKII | |
| | GT 528i | 2.0T | 2017~2018 | N20B20A | | | UL8RKII | |
| | GT 535i | 3.0T | 2015~2018 | N55B30A | | | UL8RKII | |
| | GT 630i | 2.0T | 2021~2021 | B48B20B | | | B5+ | |
| | GT 640i xDrive | 3.0T | 2016~2019 | B58B30A | | | B5+ | |
| | i8 | 1.5T | 2020~2020 | B38K15A | | | UL8RLII | |
| | JCW Countryman All 4 | 1.6T | 2016~2017 | N18B16C | | | B2 | |
| | JCW Paceman All 4 | 1.6T | 2014~2017 | N18B16C | | | B2 | |
| | M135i | 3.0T | 2014~2016 | N55B30A | | | UL8RKII | |
| | M140i | 3.0T | 2017~2019 | B58B30A | | | B5+ | |
| | Mini One PLUS | 1.5T | 2018~ | B38A15A | | | UL8RLII | |
| | One Clubman | 1.5T | 2021~2022 | B38A15A | | | B5+ | |
| | One Countryman | 1.6 | 2016~2017 | N16B16A | | | UH7RJII | |
| | X3 M | 3.0T | 2021~ | S58B30A | | | UL8RLII | |
| | X3 xDrive35i | 3.0T | 2014~2018 | N55B30A | | | UL8RKII | |
| | X4 M | 3.0T | 2021~ | S58B30A | | | UL8RLII | |
| | X4 M40i | 3.0T | 2015~2018 | N55B30A | | | UL8RKII | |
| | X5 xDrive28i | 2.0T | 2017~2018 | N20B20A | | | B1 | |
| | X6 xDrive28i | 2.0T | 2018~2020 | N20B20A | | | B1 | |
| | X7 xDrive40i | 3.0T | 2021~2022 | B58B30C | | | UL8RLII | |
| | Z4 M40i | 3.0T | 2022~ | B58B30C | | | UL8RLII | |
| | Brilliance BMW | 120i | 1.5T | 2019~ | B38A15C | | | UL8RLII |
| | | 218i Active Tourer | 1.5T | 2019~2020 | B38A15C | | | UL8RLII |
| | | 220i Active Tourer | 2.0T | 2019~2020 | B48A20C | | | B5+ |
| | | 316i | 1.6T | 2015~2016 | N13B16A | | | UH7RJII |
| 318i | | 1.5T | 2017~2018 | B38B15C | | | B5+ | |
| 320i | | 2.0T | 2020~2021 | B48B20D | | | UL8RLII | |
| 325i | | 2.0T | 2020~2021 | B48B20D | | | UL8RLII | |
| 328i | | 2.0T | 2015~2016 | N20B20C | | | B1 | |
| 330i | | 2.0T | 2021~2022 | B48B20D | | | UL8RLII | |
| 335Li | | 3.0T | 2015~2016 | N55B30A | | | UL8RKII | |
| 520Li | | 2.0T | 2016~2017 | N20B20D | | | B1 | |
| 525Li | | 2.0T | 2017~ | B48B20C | | | B5+ | |
| 530Le | | 2.0T | 2020~2020 | B48B20C | | | B5+ | |
| 530Li | | 2.0T | 2016~ | B48B20D | | | B5+ | |
| 535Li | | 3.0T | 2016~2017 | N55B30A | | | UL8RKII | |
| 540Li | | 3.0T | 2019~2019 | B58B30A | | | B5+ | |
| X1 sDrive18i | | 2.0T | 2015~2016 | N20B20C | | | UL8RKII | |
| X1 xDrive25Le | | 1.5T | 2019~2020 | B38A15C | | | UL8RLII | |
| X1 xDrive30Le | | 1.5T | 2020~2022 | B38A15C | | | UL8RLII | |

European and American cars

| | Model | Engine CC | Year | Type engine | EFFECTIVE | PLATINUM | IRIDIUM | |
|----------------|----------------|-----------|-----------|-------------|-----------|----------|---------|---------|
| Brilliance BMW | X2 xDrive25i | 2.0T | 2019~ | B48A20C | | | UL8RLII | |
| | Alhambra | 1.8T | 2015~2018 | CDA | | | A1 | |
| VW | B8 Alltrack | 2.0T | 2017~2021 | CHH | | | KH7RJII | |
| | Beetle | 1.2T | 2017~2020 | CYV | | | TORCH18 | |
| | Beetle | 1.4T | 2017~2020 | CZD | | | DK7RHII | |
| | Caravelle | 2.0T | 2019~2021 | CJK | | | K7RHII | |
| | Cross up! | 1.0 | 2016~2017 | CHY | DK7RTA | | DK7RTAI | |
| | Fabia-Sedan | 1.4 | 2015~2018 | AUB;BBZ | | | K6RII | |
| | Golf R Variant | 2.0T | 2015~2018 | CJX | | | KH7RJII | |
| | Leon | 2.0T | 2015~2017 | CCZ | | | K7RHII | |
| | Multivan | 2.0T | 2019~2021 | CJK | | | K7RHII | |
| | Octavia | 2.0 | 2019~2019 | AZJ;AZH | | | K6RII | |
| | Octavia | 1.2T | 2019~2019 | CYV | | | TORCH18 | |
| | Octavia | 1.6 | 2018~2020 | CCSA | | | K6RII | |
| | Scirocco | 1.4T | 2016~2018 | CZD | | | DK7RHII | |
| | Sharan | 1.4T | 2020~2021 | CZD | | | DK7RHII | |
| | Sharan | 2.0T | 2020~2021 | DED | | | KH7RJII | |
| | Superb | 2.8 | 2019~2019 | BBG | | | K6RII | |
| | Superb | 2.0 | 2016~2018 | AZM | | | K6RII | |
| | Superb Combi | 2.0T | 2017~2018 | CCZ | | | K7RHII | |
| | Tiguan | 2.0T | 2019~2021 | CZP | | | KH7RJII | |
| | Tiguan | 1.4T | 2019~2020 | CZD | | | DK7RHII | |
| | Touareg | 3.0T | 2022~ | DCB | | | UH9RKII | |
| | Touareg | 2.0T | 2018~2020 | CYRB | | | KH7RJII | |
| | FAW VW | BORA | 1.5 | 2022~ | DMB | DK7RTA | | DK7RTAI |
| | | BORA | 1.4T | 2020~ | DJS | | | DK7RHII |
| | | BORA | 1.6 | 2017~2017 | CSR | DK7RTA | | DK7RTAI |
| | | CC | 2.0T | 2022~ | DKX | | | KH7RJII |
| | | CC | 1.8T | 2017~2018 | CEA | | | K7RHII |
| | | CC | 3.0 | 2017~2018 | CNG | | | A5 |
| | | C-TREK | 1.4T | 2017~2019 | CST | | | DK7RHII |
| | | C-TREK | 1.5 | 2019~2022 | DLF | DK7RTA | | DK7RTAI |
| | | C-TREK | 1.6 | 2016~2017 | CSR | DK7RTA | | DK7RTAI |
| | | Golf GTI | 2.0T | 2019~2020 | CUG | | | KH7RJII |
| JETTA | | 1.4 | 2018~2019 | CKA | DK7RTA | | DK7RTAI | |
| JETTA | | 1.5 | 2018~2019 | DCF | DK7RTA | | DK7RTAI | |
| JETTA | | 1.6 | 2016~2019 | CUC | DK7RTA | | DK7RTAI | |
| JETTA | | 1.4T | 2016~2018 | CST | | | DK7RHII | |
| JETTA VA3 | | 1.5 | 2021~ | DLF | DK7RTA | | DK7RTAI | |
| JETTA VS5 | | 1.4T | 2022~ | DJS | | | TORCH4 | |
| MAGOTAN GTE | | 1.4T | 2023~ | DUK | | | DK7RHII | |
| Sagitar | | 1.2T | 2022~ | DLS | | | TORCH18 | |
| Sagitar | | 1.4T | 2021~2022 | DJS | | | TORCH4 | |
| Sagitar | | 1.6 | 2017~2019 | CPD | DK7RTA | | DK7RTAI | |
| TACQUA | | 1.4T | 2021~ | DJS | | | DK7RHII | |
| TACQUA | | 1.5 | 2021~ | DMB | DK7RTA | | DK7RTAI | |
| TAYRON | | 2.0T | 2022~ | DKX | | | KH7RJII | |
| T-ROC | | 1.4T | 2021~2023 | DJS | | | DK7RHII | |
| T-ROC | | 1.2T | 2019~2020 | DLS | | | TORCH18 | |
| KAMIQ GT | | 1.5 | 2022~ | DLF | DK7RTA | | DK7RTAI | |
| Cross | | 1.6 | 2017~2019 | CPD | DK7RTA | | DK7RTAI | |
| Cross Lavida | | 1.6 | 2017~2018 | CSR | DK7RTA | | DK7RTAI | |
| Cross Lavida | | 1.4T | 2017~2018 | CST | | | DK7RHII | |
| Fabia | | 1.6 | 2020~2022 | CSR | DK7RTA | | DK7RTAI | |
| GranLavida | | 1.6 | 2017~2018 | CSR | DK7RTA | | DK7RTAI | |
| GranLavida | | 1.4T | 2017~2018 | CST | | | DK7RHII | |
| GranLavida | 1.2T | 2017~2018 | CYA | | | TORCH18 | | |
| KAROQ | 1.4T | 2022~ | DJS | | | DK7RHII | | |
| KODIAQ GT | 2.0T | 2022~ | DKX | | | KH7RJII | | |
| KODIAQ GT | 1.4T | 2012~2018 | DJS | | | DK7RHII | | |

European and American cars



| | Model | Engine CC | Year | Type engine | EFFECTIVE | PLATINUM | IRIDIUM |
|------------------|-------------|-----------|-----------|----------------|-----------|----------|---------|
| SAIC VW | Lamando GTS | 2.0T | 2016~2018 | CUG | | | KH7RJII |
| | LAVIDA | 1.4T | 2023~ | DJS | | | DK7RHII |
| | LAVIDA | 1.5 | 2022~ | DMB | DK7RTA | | DK7RTAI |
| | LAVIDA | 1.6 | 2018~2020 | CSR | DK7RTA | | DK7RTAI |
| | LAVIDA | 1.2T | 2017~2018 | DJN | | | TORCH18 |
| | Octavia | 1.5 | 2022~ | DMB | DK7RTA | | DK7RTAI |
| | Octavia | 1.6 | 2021~2022 | CLR | K5rTS | | K5rTSIU |
| | Octavia | 2.0 | 2015~2019 | CGZ | K5rTS | | K5rTSIU |
| | Octavia | 1.8T | 2012~2018 | BYJ | | | K7RHII |
| | Phildeon | 2.0T | 2020~ | DMJ | | | KH7RJII |
| | Phildeon | 3.0T | 2019~2020 | CRE | | | A2 |
| | POLO | 1.5 | 2018~2019 | DLX | DK7RTA | | DK7RTAI |
| | POLO | 1.6 | 2016~2018 | CSR | DK7RTA | | DK7RTAI |
| | POLO | 1.4 | 2016~2018 | DAH | DK7RTA | | DK7RTAI |
| | Rapid | 1.4T | 2019~2021 | CST | | | DK7RHII |
| | Rapid | 1.4 | 2019~2020 | CKA | DK7RTA | | DK7RTAI |
| | Rapid | 1.6 | 2019~2020 | CPD | DK7RTA | | DK7RTAI |
| | Rapid | 1.5 | 2019~2020 | DLF | DK7RTA | | DK7RTAI |
| | SANTANA | 1.5 | 2020~ | DLF | DK7RTA | | DK7RTAI |
| | SANTANA | 1.4 | 2016~2019 | CKA | DK7RTA | | DK7RTAI |
| | SANTANA | 1.6 | 2016~2018 | CPD | DK7RTA | | DK7RTAI |
| | SKODA RAPID | 1.5 | 2022~ | DLF | DK7RTA | | DK7RTAI |
| | SKODA RAPID | 1.6 | 2019~2022 | CPD | DK7RTA | | DK7RTAI |
| | SKODA RAPID | 1.4 | 2019~2021 | CKA | DK7RTA | | DK7RTAI |
| | SUPERB | 1.4T | 2022~ | DJS | | | DK7RHII |
| | SUPERB | 2.0T | 2022~ | DPL | | | KH7RJII |
| | Superb | 1.4T | 2019~2020 | CFB | | | TORCH3 |
| | Superb | 2.0T | 2018~2019 | CGM | | | K7RHII |
| | SUPERB | 2.0T | 2017~2021 | DKV | | | KH7RJII |
| | SUPERB | 1.8T | 2017~2017 | CUF | | | KH7RJII |
| | SUPERB | 1.4T | 2015~2018 | CSS | | | DK7RHII |
| | T-Cross | 1.4T | 2022~ | DJS | | | DK7RHII |
| | T-Cross | 1.5 | 2022~ | DMB | DK7RTA | | DK7RTAI |
| | Teramont | 2.0T | 2022~ | DKX | | | KH7RJII |
| Teramont | 2.5T | 2022~ | DME | | | TORCH19 | |
| Tharu R-Line | 1.4T | 2022~ | DJS | | | DK7RHII | |
| Tiguan L R-Line | 2.0T | 2022~ | DKX | | | KH7RJII | |
| Viloran | 2.0T | 2022~ | DKX | | | KH7RJII | |
| Yeti | 1.6 | 2020~2020 | CSR | DK7RTA | | DK7RTAI | |
| Yeti | 1.4T | 2020~2020 | CSS | | | DK7RHII | |
| Yeti | 1.8T | 2019~2019 | CEA | | | K7RHII | |
| PEUGEOT | 308 CC | 1.6T | 2013~2013 | 5F06 | | | TORCH11 |
| | 308 SW | 1.6T | 2013~2015 | 5F06 | | | TORCH11 |
| | 4008 | 2.0 | 2013~2016 | 4B11 | | | K6RIU |
| DONGFENG PEUGEOT | RCZ | 1.6T | 2014~2017 | 5F06 | | | TORCH11 |
| | 2008 | 1.6T | 2015~2017 | 10UF01 5G02 | | | TORCH11 |
| | 2008 | 1.2T | 2017~2019 | HN03 | | | TORCH11 |
| | 2008 | 1.6 | 2017~2019 | NFP | | | KH6RAIU |
| | 207 Cross | 1.6 | 2012~2014 | N6A 10XA3A PSA | | | KH6RAIU |
| | 207 Cross | 1.4 | 2012~2014 | TU3AF | K6RTC | | |
| | 3008 | 1.6T | 2014~2014 | 10FJBZ PSA5F06 | | | TORCH11 |
| | 3008 | 2.0 | 2017~2018 | PSARFN 10LH3X | | | KH6RAIU |
| | 3008 | 1.6T | 2018~2020 | 10UF01 5G02 | | | TORCH11 |
| | 301 | 1.6 | 2017~2020 | NFP | | | KH6RAIU |
| | 307 Cross | 1.6 | 2013~2016 | NFP | | | KH6RAIU |
| | 308 | 1.6 | 2014~2016 | N6A 10XA3A PSA | | | KH6RAIU |
| | 308 | 2.0 | 2014~2016 | PSARFN 10LH3X | | | KH6RAIU |
| | 308 | 1.6T | 2017~2019 | 10UF01 5G02 | | | TORCH11 |
| | 308 | 1.2T | 2018~2020 | HN03 | | | TORCH11 |
| | 308 | 1.6 | 2018~2020 | NFP | | | KH6RAIU |

European and American cars



| | Model | Engine CC | Year | Type engine | EFFECTIVE | PLATINUM | IRIDIUM | |
|------------------|------------|--------------|-----------|----------------|-----------|-----------|----------|--------|
| DONGFENG PEUGEOT | 308S | 1.6T | 2015~2016 | 10UF01 5G02 | | | TORCH11 | |
| | 308S | 1.2T | 2015~2019 | HN03 | | | TORCH11 | |
| | 308S | 1.6 | 2015~2016 | NFP | | | KH6RAIU | |
| | 4008 | 1.6T | 2017~2019 | 10UF01 5G02 | | | TORCH11 | |
| | 4008 | 1.8T | 2017~2019 | 10UF51 6G01 | | | TORCH11 | |
| | 408 | 1.6 | 2012~2014 | N6A 10XA3A PSA | | | KH6RAIU | |
| | 408 | 1.6 | 2015~2016 | NFP | | | KH6RAIU | |
| | 408 | 2.0 | 2013~2014 | PSARFN 10LH3X | | | KH6RAIU | |
| | 408 | 1.8 | 2017~2018 | WFZ | KH6RTC3 | | KH6RIU | |
| | 408 | 1.6T | 2018~2020 | 10UF01 5G02 | | | TORCH11 | |
| | 408 | 1.2T | 2018~2020 | HN03 | | | TORCH11 | |
| | 5008 | 1.6T | 2018~2021 | 10UF01 5G02 | | | TORCH11 | |
| | 5008 | 1.8T | 2018~2021 | 10UF51 6G01 | | | TORCH11 | |
| | 508 | 2.3 | 2014~2014 | PSA 3FY 10XP01 | | | KH6RAIU | |
| | 508 | 2.0 | 2013~2015 | PSARFN 10LH3X | | | KH6RAIU | |
| | 508 | 1.6T | 2017~2018 | 10UF01 5G02 | | | TORCH11 | |
| | 508 | 1.8T | 2017~2018 | 10UF51 6G01 | | | TORCH11 | |
| | 508 | 2.0 | 2014~2017 | PSARFN 10LH3X | | | KH6RAIU | |
| | 508L | 1.6T | 2018~2019 | 10UF01 5G02 | | | TORCH11 | |
| | GM | Antara | 2.4 | 2019~2020 | LE5 | | | QH5RIU |
| | | Antara | 2.4 | 2019~2021 | Z24SED | K6RG | | K6RGIU |
| | | Astra A+ | 1.8 | 2018~2019 | Z 18 XER | K5RAUY-11 | | |
| | | Astra Cabrio | 1.8 | 2019~2020 | Z 18 XER | K5RAUY-11 | | |
| Astra GTC | | 1.8 | 2018~2021 | Z 18 XER | K5RAUY-11 | | | |
| Camaro | | 2.0T | 2018~2018 | LTG | | | TORCH27 | |
| Camaro RS | | 3.6 | 2018~2018 | LFX | | | QH6RTI | |
| Captiva | | 3.2 | 2018~2018 | 10 HM | | | QH6II | |
| Captiva | | 2.4 | 2018~2020 | Z24SED | K6RG | | K6RGIU | |
| Malibu | | 2.4 | 2018~2020 | LE5 | | | QH5RIU | |
| Spark | | 1.0 | 2020~2022 | B10D1 | DK7RTC | | DK7RTI | |
| Tracker | | 2.0 | 2018~2020 | L34 | | | 93333323 | |
| ATS-L | | 2.0T | 2021~2022 | LTG | | | TORCH27 | |
| AVEO | | 1.6 | 2019~2020 | F16D3(L91) | 9015257 | | K6RIU | |
| AVEO | | 1.4 | 2019~2020 | L95 | 9015257 | | K6RIU | |
| AVEO | | 1.2 | 2018~2019 | LMU | DK7RTC | | DK7RTI | |
| Captiva | | 2.4 | 2017~2019 | LE5 | | | QH5RIU | |
| SGM | CRUZ | 1.8 | 2018~2019 | 2H0 | K6RG | | K6RGIU | |
| | CRUZ | 1.6 | 2020~2020 | LDE | K6RG | | K6RGIU | |
| | CRUZ | 1.6T | 2020~2021 | LLU | | | K7RHII | |
| | CRUZ | 1.5 | 2020~2021 | L3G | | | YH6RAIU | |
| | CT5 | 2.0T | 2021~ | LSY | | | TORCH28 | |
| | CT6 | 3.0T | 2020~2021 | LGW | | | TORCH8 | |
| | CT6 | 2.0T | 2021~2022 | LSY | | | TORCH28 | |
| | Enclave | 2.0T | 2020~2021 | LSY | | | TORCH28 | |
| | ENCORE | 1.4T | 2017~2019 | LFF | | | TORCH5 | |
| | ENCORE | 1.3T | 2019~2021 | L3Z | | | TORCH30 | |
| | ENCORE | 1.0T | 2019~ | LIV | | | OE205 | |
| | ENVISION | 1.5T | 2020~2022 | LFV | | | TORCH8 | |
| | ENVISION | 2.0T | 2019~2021 | LTG | | | TORCH27 | |
| | EPICA | 1.8 | 2017~2020 | 2H0 | K6RG | | K6RGIU | |
| | EXCELLE | 1.3 | 2019~ | LGB | LD7RTC | | | |
| | EXLELLE GX | 1.3T | 2018~2020 | LI6 | | | OE206 | |
| | EXLELLE GX | 1.0T | 2019~2022 | LIW | | | OE206 | |
| | GL6 | 1.3T | 2018~2020 | LIY | | | OE206 | |
| | GL6 48V | 1.3T | 2020~ | LIY | | | OE206 | |
| | GL8 Avenir | 2.0T | 2020~2021 | LSY | | | TORCH28 | |
| | LACROSSE | 1.5T | 2017~2019 | LFV | | | TORCH8 | |
| | LACROSSE | 1.8 | 2017~2019 | LKN | | | TORCH8 | |
| | LACROSSE | 1.3T | 2019~2020 | L3Z | | | TORCH30 | |
| LACROSSE | 2.0T | 2019~2020 | LSY | | | TORCH28 | | |

European and American cars



European and American cars

| | Model | Engine CC | Year | Type engine | EFFECTIVE | PLATINUM | IRIDIUM |
|----------------|--------------------|-----------|-----------|--------------|-----------|----------|------------|
| SGM | LOVA | 1.6 | 2019~2020 | F16D3(L91) | 9015257 | | K6RIU |
| | Malibu | 2.0 | 2018~2019 | LTD | | | QH5RIU |
| | Malibu | 2.4 | 2019~2020 | LAF | | | QH5RIU |
| | Malibu | 1.5T | 2021~2022 | LFV | | | TORCH8 |
| | Malibu | 1.6T | 2020~2022 | LLU | | | K7RHII |
| | ONIX | 1.0T | 2018~2020 | LJI | | | OE206 |
| | ORLANDO | 1.3T | 2017~2019 | LI6 | | | OE206 |
| | REGAL | 1.3T | 2019~2022 | L3Z | | | TORCH30 |
| | REGAL | 2.0T | 2020~2022 | LSY | | | TORCH28 |
| | TRAILBLAZER | 1.3T | 2019~ | L3Z | | | TORCH30 |
| | VELITE 5 | 1.5 | 2017~2019 | L3A | | | YH6RAIU |
| | VERANO | 1.5 | 2018~2019 | L3G | | | YH6RAIU |
| | VERANO | 1.5T | 2018~2019 | LFV | | | TORCH8 |
| | VERANO | 1.3T | 2019~2021 | L3Z | | | TORCH30 |
| | VERANO | 1.0T | 2019~2021 | LIV | | | OE205 |
| | XT5 | 2.0T | 2020~2021 | LSY | | | TORCH28 |
| | XT6 | 2.0T | 2021~2022 | LSY | | | TORCH28 |
| | SAIC-GM-Wuling | 310 | 1.5 | 2017~2021 | L2B | DK7RTC | |
| 310 | | 1.2 | 2019~2021 | LMH | DK7RTC | | DK7RTI |
| 360 | | 1.5 | 2020~2022 | LAR | DK7RTC | | |
| 510 | | 1.5 | 2020~ | LAR | DK7RTC | | |
| 530 | | 1.8 | 2018~2021 | LJ479QNE2 | K6RTC | | |
| 530 | | 1.5T | 2019~2021 | LL5 | | | OE210 |
| 730 | | 1.5 | 2018~2021 | L2B | DK7RTC | | DK7RIU |
| 730 | | 1.5T | 2018~2021 | LL5 | | | OE210 |
| HONGTU | | 1.2 | 2021~2021 | LAQ | DK7RTC | | DK7RTI |
| HONGTU | | 1.1 | 2020~2022 | LJ465Q3-1AE6 | F6RTC | F6RTP | |
| JIACHEN | | 1.5 | 2022~ | LAR | DK7RTC | | |
| KAIJIE | | 1.5T | 2022~ | LJO | | | OE210 |
| LECHI | | 1.0 | 2019~2019 | B10S1C | F6RTC | F6RTP | |
| LECHI | | 0.8 | 2020~2022 | F8CV | F6RTC | F6RTP | |
| RC-6 | | 1.5T | 2018~2019 | LJO | | | OE210 |
| RM-5 | | 1.5 | 2019~2021 | LAR | DK7RTC | | |
| RONGGUANG | | 1.4 | 2018~2019 | LCU | DK7RTC | | DK7RIU |
| RONGGUANG | | 1.5 | 2018~2019 | L2B | DK7RTC | | DK7RIU |
| RONGGUANG | | 1.2 | 2019~2020 | LMU | DK7RTC | | DK7RTI |
| RS-3 | | 1.5 | 2021~ | LAR | DK7RTC | | |
| RS-3 | | 1.5T | 2021~ | LJO | | | OE210 |
| WULINGWEIKE | | 1.2 | 2021~2022 | LAQ | DK7RTC | | DK7RTI |
| WULINGXIAOKA | | 1.2 | 2021~2022 | LAQ | DK7RTC | | DK7RTI |
| WULINGZHIGUANG | | 1.1 | 2019~2019 | LJ465Q-1AE3 | F6RTC | F6RTP | |
| WULINGZHIGUANG | | 1.0 | 2019~2020 | LJ465QE5 | F6RTC | F6RTP | |
| WULINGZHIGUANG | | 1.3 | 2021~2022 | LJ474QE2 | K7RTC | | K7RTI |
| WULINGZHIGUANG | | 1.2 | 2019~2021 | LAQ | DK7RTC | | DK7RTI |
| WULINGZHIGUANG | | 1.0 | 2017~2020 | LJ465Q3E2 | F6RTC | F6RTP | |
| XINGCHI | | 1.5 | 2022~ | LAR | DK7RTC | | |
| XINGWANG | | 1.0 | 2017~2019 | CF465QE6 | F6RTC | F6RTP | |
| XINGWANG | 0.8 | 2019~2021 | LJ462QE1 | F6RTC | F6RTP | | |
| TOYOTA | Alphard | 3.5 | 2017~2018 | 2GR-FE | | | KH6RHII-11 |
| | Alphard | 3.5 | 2018~2020 | 2GR-FKS | | | KH6RIU |
| | C-HR | 1.2T | 2016~2021 | 8NR-FTS | | | LD8RHII |
| | CT200h | 1.8 | 2019~2019 | 5ZR-FXE | LD7RTC | | LD7RIU |
| | ES200 | 2.0 | 2016~2018 | 6AR-FSE | | | KH6RIU |
| | ES250 | 2.5 | 2016~2018 | 2AR-FE | | | KH6RIU |
| | GS300 | 2.0T | 2018~2019 | 8AR-FTS | | | KH7RKII |
| | GS300 | 3.0 | 2019~2020 | 2JZ-GE | | | K6RII |
| | GS300 | 3.0 | 2018~2019 | 3GR-FE | | | KH6RHII-11 |
| | GS350 | 3.5 | 2021~2021 | 2GR-FSE | | | KH6RHII-11 |
| | Land Cruiser Prado | 2.7 | 2020~2022 | 2TR-FE | | | C2 |
| | NX200 | 2.0 | 2015~2018 | 3ZR-FAE | | | LD7RIU |



| | Model | Engine CC | Year | Type engine | EFFECTIVE | PLATINUM | IRIDIUM |
|----------------|----------------|-----------|-----------|-------------|-----------|----------|------------|
| TOYOTA | NX300 | 2.0T | 2016~2017 | 8AR-FTS | | | KH7RKII |
| | NX300 F SPORT | 2.0T | 2016~2020 | 8AR-FTS | | | TORCH21 |
| | Previa | 2.4 | 2016~2021 | 2AZ-FE | K6RUY-11 | | K6RII |
| | RC200t F SPORT | 2.0T | 2018~2020 | 8AR-FTS | | | TORCH21 |
| | RC300 | 2.0T | 2021~2022 | 8AR-FTS | | | KH7RKII |
| | RC300 F SPORT | 2.0T | 2017~2021 | 8AR-FTS | | | TORCH21 |
| | RX200t | 2.0T | 2021~2022 | 8AR-FTS | | | KH7RKII |
| | RX270 | 2.7 | 2016~2017 | 1AR-FE | | | C2 |
| | RX300 | 2.0T | 2016~2018 | 8AR-FTS | | | KH7RKII |
| | RX300 F SPORT | 2.0T | 2020~2021 | 8AR-FTS | | | TORCH21 |
| | RX350 | 3.5 | 2021~2022 | 2GR-FE | | | KH6RHII-11 |
| | SC430 | 4.3 | 2018~2020 | 3UZ-FE | | | K6RII |
| | AVALON | 2.5 | 2019~2022 | A25A | | | LD7RHII |
| | AVALON | 2.0 | 2019~2022 | M20A | | | LD7RHII |
| FAW TOYOTA | AVALON | 2.0 | 2019~2022 | M20D | | | LD7RHII |
| | COASTER | 2.7 | 2015~2020 | 3TR | | | KH6RIU |
| | COASTER | 4.0 | 2015~2020 | 6GR | | | KH6RIU |
| | COROLLA | 1.6 | 2017~2019 | 1ZR-FE | | | LD7RIU |
| | COROLLA | 1.2T | 2016~ | 9NR-FTS | | | LD8RHII |
| | COROLLA | 1.8 | 2017~2018 | 2ZR-FE | LD7RTC | | LD7RIU |
| | COROLLA | 1.2T | 2017~2019 | 8NR-FTS | | | LD8RHII |
| | CROWN | 2.0T | 2017~2020 | 8AR-FTS | | | KH7RKII |
| | IZOA | 2.0 | 2018~2020 | M20A | | | LD7RHII |
| | LAND CRUISER | 4.0 | 2016~2017 | 1GR-FE | | | KH6RIU |
| | LAND CRUISER | 4.6 | 2016~2017 | 1UR-FE | | | KH6RHII-11 |
| | RAV4 | 2.0 | 2019~2019 | 6ZR-FAE | | | LD7RIU |
| | RAV4 | 2.0 | 2019~2022 | M20D-FKS | | | LD7RHII |
| | VIOS | 1.3 | 2016~2020 | 4NR-FE | LD7RTC | | LD7RIU |
| | VIOS FS | 1.3 | 2017~2020 | 4NR-FE | LD7RTC | | LD7RIU |
| | VIOS FS | 1.5 | 2017~ | 5NR-FE | LD7RTC | | LD7RIU |
| | CAMRY | 2.5 | 2016~2017 | 5AR-FE | | | KH6RIU |
| | CAMRY | 2.0 | 2017~2019 | 6AR-FSE | | | KH6RIU |
| | CAMRY | 2.5 | 2017~2019 | A25A | | | LD7RHII |
| | CAMRY | 2.0 | 2019~2020 | M20C | | | LD7RHII |
| | CAMRY | 2.5 | 2021~ | A25C | | | LD7RHII |
| | C-HR | 2.0 | 2019~2022 | M20A | | | LD7RHII |
| | C-HR | 2.0 | 2019~2019 | M20C | | | LD7RHII |
| | HIGHLANDER | 3.5 | 2017~2018 | 2GR-FE | | | KH6RHII-11 |
| | HIGHLANDER | 2.0T | 2021~2022 | 8AR-FTS | | | KH7RKII |
| | LEVIN | 1.2T | 2016~ | 9NR-FTS | | | LD8RHII |
| | LEVIN | 1.8 | 2017~2019 | 2ZR-FE | LD7RTC | | LD7RIU |
| | LEVIN | 1.2T | 2020~2021 | 8NR-FTS | | | LD8RHII |
| | Sienna | 2.5 | 2021~ | A25D | | | LD7RHII |
| | WILD LANDER | 2.0 | 2020~ | M20C | | | LD7RHII |
| YARIS L | 1.3 | 2017~2019 | 6NR-FE | LD7RTC | | LD7RIU | |
| YARIS L | 1.5 | 2017~2019 | 7NR-FE | LD7RTC | | LD7RIU | |
| YARIS L | 1.3 | 2016~2019 | 6NR-FE | LD7RTC | | LD7RIU | |
| YARIS LX | 1.5 | 2019~2021 | 7NR-FE | | | LD7RIU | |
| HONDA | MDX | 3.7 | 2017~2020 | J37A1 | | | LDK7RBIU |
| | MDX | 3.5 | 2014~2016 | J35A3 | | | K6RBIU |
| | RDX | 3.0 | 2017~2018 | J30A6 | | | LDK7RBIU |
| | RDX | 3.5 | 2014~2017 | J35Z2 | | | LDK7RBIU |
| | RL | 3.5 | 2015~2015 | J35A8 | | | K6RBIU |
| | RLX | 3.5 | 2017~2020 | J35Y4 | | | LDK7RBIU |
| | TL | 3.5 | 2017~2021 | J35Z6 | | | LDK7RBIU |
| Dongfeng Honda | TLX | 2.4 | 2016~2018 | K24W7 | | | LD7RBIU |
| | CIIMO | 1.8 | 2019~2022 | R18A1 | | | K6RBIU |
| | CIVIC | 1.5T | 2019~2022 | L15B8 | | | TORCH13 |
| | CIVIC | 1.0T | 2019~2022 | P10A1 | | | TORCH13 |
| CIVIC | 1.8 | 2015~2016 | R18Z2 | | | LDK7RBIU | |

Japanese and Korean cars



| | Model | Engine CC | Year | Type engine | EFFECTIVE | PLATINUM | IRIDIUM | |
|-----------|-----------------|-----------|-----------|-------------|-----------|----------|------------|--------|
| | | | | | | | | |
| Dongfeng | CIVIC | 2.0 | 2013~2014 | R20A6 | | | LDK7RBIU | |
| | CIVIC | 1.8 | 2011~2012 | R18A1 | | | K6RBIU | |
| | CIVIC Hatchback | 1.5T | 2020~ | L15B8 | | | TORCH13 | |
| | CIVIC Si | 2.4 | 2014~2016 | K24Y6 | | | LDK7RBIU | |
| | CR-V | 1.5T | 2020~2022 | L15BL | | | TORCH13 | |
| | CR-V | 2.0 | 2016~2017 | R20A7 | | | LDK7RBIU | |
| | CR-V | 2.4 | 2015~2017 | K24V6 | | | LD7RJII-11 | |
| | ELYSION | 2.0 | 2022~ | LFB12 | | | LD7RKII-11 | |
| | ELYSION | 2.4 | 2015~2021 | K24V6 | | | LD7RJII-11 | |
| | Envix | 1.0T | 2022~ | P10A5 | | | TORCH13 | |
| | Glenia | 1.5 | 2016~2020 | L15B5 | | | LD7RBIU | |
| | Greiz | 1.5 | 2015~2020 | L15B5 | | | LD7RBIU | |
| | INSPIRE | 1.5T | 2021~ | L15BR | | | LD8RJII | |
| | INSPIRE | 2.0 | 2021~ | LFB12 | | | LD7RKII-11 | |
| | Jade | 1.8 | 2019~2020 | R18Z6 | | | LDK7RBIU | |
| | Jade | 1.5T | 2019~2020 | L15BF | | | TORCH13 | |
| | LIFE | 1.5 | 2020~2023 | L15B5 | | | LD7RBIU | |
| | SPIRIOR | 2.0 | 2017~2019 | LFA11 | | | LD7RBIU | |
| | SPIRIOR | 2.4 | 2017~2019 | K24V4 | | | LD7RJII-11 | |
| | SPIRIOR Si | 2.4 | 2017~2019 | K24V4 | | | LD7RJII-11 | |
| UR-V | 1.5T | 2020~ | L15BD | | | TORCH13 | | |
| UR-V | 2.0T | 2020~ | K20C3 | | | TORCH13 | | |
| XR-V | 1.5 | 2021~2022 | L15B5 | | | LD7RBIU | | |
| XR-V | 1.5T | 2021~2022 | L15BS | | | TORCH13 | | |
| XR-V | 1.8 | 2017~2019 | R18ZA | | | LDK7RBIU | | |
| GAC Honda | ACCORD | 1.5T | 2021~ | L15BN | | | LD8RJII | |
| | ACCORD | 2.0 | 2021~ | LFB11 | | | LD7RBIU | |
| | ACCORD | 2.4 | 2016~2018 | K24W5 | | | LD7RBIU | |
| | ACCORD | 2.0 | 2016~2018 | LFA11 | | | LD7RBIU | |
| | ACCORD | 3.0 | 2015~2016 | J30A5 | | | LDK7RBIU | |
| | ACCORD | 3.5 | 2012~2012 | J35Z2 | | | LDK7RBIU | |
| | Avancier | 1.5T | 2022~ | L15BD | | | TORCH13 | |
| | Avancier | 2.0T | 2020~ | K20C3 | | | TORCH13 | |
| | BREEZE | 1.5T | 2021~ | L15BT | | | TORCH13 | |
| | BREEZE | 2.0 | 2021~ | LFB11 | | | LD7RBIU | |
| | CITY | 1.5 | 2019~2020 | L15B2 | | | LD7RBIU | |
| | CITY | 1.8 | 2012~2014 | R18A1 | | | K6RBIU | |
| | CRIDER | 1.0T | 2021~ | P10A3 | | | TORCH13 | |
| | CRIDER | 1.8 | 2017~2017 | R18ZH | | | LDK7RBIU | |
| | Crosstour | 2.4 | 2015~2019 | K24Y3 | | | LDK7RBIU | |
| | Crosstour | 3.0 | 2015~2019 | J30A7 | | | LDK7RBIU | |
| | Crosstour | 3.5 | 2010~2014 | J35Z2 | | | LDK7RBIU | |
| | FIT | 1.5 | 2022~ | L15BU | | | LD7RKII-11 | |
| | FIT | 1.3 | 2012~2014 | L13Z1 | | | K6RBIU | |
| | Inspire PHEV | 1.5 | 2018~2020 | 4A15K2 | | | TORCH9 | |
| | Odyssey | 2.0 | 2022~ | LFB11 | | | LD7RBIU | |
| | Odyssey | 2.4 | 2018~2020 | K24W5 | | | LD7RBIU | |
| | S1 | 1.3 | 2015~2016 | L13A3 | K6RTC-11 | | K6RIU | |
| | S1 | 1.5 | 2015~2016 | L15A1 | | | K6RBIU | |
| | VEZEL | 1.5 | 2022~ | L15B3 | | | LD7RBIU | |
| | VEZEL | 1.5T | 2020~2022 | L15BP | | | TORCH13 | |
| | VEZEL | 1.5 | 2016~2019 | L15B2 | | | LD7RBIU | |
| | VEZEL | 1.8 | 2016~2019 | R18Z7 | | | LDK7RBIU | |
| | Hyundai | Azera | 3.3 | 2017~2019 | G6DB | | | K6RIU |
| | | Azera | 2.4 | 2014~2015 | G4KE | | | KH6RIU |
| Azera | | 2.7 | 2014~2015 | G6EA | | | KH6RIU | |
| Azera | | 2.4 | 2015~2018 | G4KC | | | K6RIU | |
| Coupe | | 2.0 | 2015~2016 | G4GC | | | K6RIU | |
| Coupe | | 2.7 | 2014~2015 | G6BA | | | K6RIU | |
| Equus | | 3.5 | 2015~2016 | G6AU/CU | | K5RTPP | | |



| | Model | Engine CC | Year | Type engine | EFFECTIVE | PLATINUM | IRIDIUM | |
|--------------|-----------------|-----------|-----------|-------------|-----------|-------------|----------|----------|
| | | | | | | | | |
| Hyundai | Equus | 3.8 | 2014~2015 | G6DA | LDK7RTC | | LDK7RTI | |
| | Equus | 3.5 | 2011~2012 | G6AU/CU | K5RTC-11 | K5RTPP | | |
| | Genesis | 3.0 | 2015~2016 | G6DG | LDK7RAUY | | LDK7RAIU | |
| | Grand SantaFe | 2.0T | 2017~2019 | G4KH | | | TORCH10 | |
| | Grand SantaFe | 3.0 | 2017~2018 | G6DG | LDK7RAUY | | LDK7RAIU | |
| | Grand SantaFe | 2.0T | 2015~2016 | G4KH | | | TORCH10 | |
| | Grand SantaFe | 3.0 | 2015~2016 | G6DG | LDK7RAUY | | LDK7RAIU | |
| | H-1 | 2.4 | 2017~2018 | G4KG | | | KH6RIU | |
| | ix35 | 2.0 | 2020~2020 | G4KD | | | KH6RIU | |
| | ix35 | 2.0 | 2018~2020 | G4NA | | | LDK7RAIU | |
| | New Santa Fe | 2.7 | 2021~2021 | G6EA | | | KH6RIU | |
| | New Santa Fe | 2.4 | 2021~2021 | G4KE | | | KH6RIU | |
| | Rohens | 3.3 | 2020~2020 | G6DB | | | LDK8RHII | |
| | Rohens | 3.0 | 2018~2020 | G6DG | LDK7RAUY | | LDK7RAIU | |
| | Rohens Coupe | 2.0T | 2021~2021 | G4KF | | | C2 | |
| | Rohens Coupe | 3.8 | 2020~2020 | G6DA | LDK7RTC | | LDK7RTI | |
| | Beijing-Hyundai | ACCENT | 1.4 | 2018~2020 | G4EE | | | K6RIU |
| | | ACCENT | 1.6 | 2012~2013 | G4ED | | | K6RIU |
| | | CELESTA | 1.4T | 2012~2014 | G4LD | | | TORCH9 |
| | | ELANTRA | 1.5 | 2020~2021 | G4FL | | | LDK7RAIU |
| ELANTRA | | 1.4T | 2020~2021 | G4LD | | | TORCH9 | |
| ELANTRA | | 1.6 | 2020~ | G4FG | LDK7RAUY | | LDK7RAIU | |
| ELANTRA | | 1.6 | 2019~2020 | G4FC | LDK7RAUY | | LDK7RAIU | |
| ELANTRA | | 1.8 | 2018~2021 | G4GB | | | K6RIU | |
| ELANTRA | | 1.6 | 2018~2020 | G4FD | LDK7RAUY | | LDK7RAIU | |
| ELANTRA | | 1.6 | 2018~2020 | G4FG | LDK7RAUY | | LDK7RAIU | |
| ELANTRA | | 1.6 | 2017~2019 | G4FG | LDK7RAUY | | LDK7RAIU | |
| ELANTRA | | 1.8 | 2017~2019 | G4NB | LDK7RAUY | | LDK7RAIU | |
| ELANTRA | | 1.6 | 2017~2018 | 14FC | | | XL2022 | |
| ELANTRA | | 1.6 | 2013~2014 | G4ED | | | K6RIU | |
| ENCINO | | 1.6T | 2016~2018 | G4FJ | | | TORCH10 | |
| i30 | | 1.6 | 2014~2018 | G4FC | LDK7RAUY | | LDK7RAIU | |
| i30 | | 2.0 | 2011~2014 | G4GC | K6RTC | | | |
| ix25 | | 1.5 | 2019~ | G4FL | | | LDK7RAIU | |
| ix25 | | 1.4T | 2013~2014 | G4LD | | | TORCH9 | |
| ix25 | | 1.6 | 2012~2013 | G4FG | LDK7RAUY | | LDK7RAIU | |
| ix35 | | 2.0 | 2021~2022 | G4NA | LDK7RAUY | | LDK7RAIU | |
| ix35 | | 2.4 | 2020~2021 | G4KE | | | KH6RIU | |
| ix35 | | 1.4T | 2020~2021 | G4LD | | | TORCH9 | |
| ix35 | | 2.0 | 2015~2015 | G4KD | | | KH6RIU | |
| LA FESTA | | 1.4T | 2018~2018 | G4LD | | | TORCH9 | |
| LA FESTA | | 1.6T | 2017~2018 | G4FJ | | | TORCH10 | |
| MISTRA | | 1.6T | 2016~2018 | G4FJ | | | TORCH10 | |
| MISTRA | | 1.8 | 2016~2017 | G4NB | LDK7RAUY | | LDK7RAIU | |
| MISTRA | | 2.0 | 2010~2013 | G4NA | LDK7RAUY | | LDK7RAIU | |
| MOINCA | | 1.8 | 2016~2018 | G4GB | | | K6RIU | |
| MOINCA | 2.0 | 2016~2018 | G4GC | | | K6RIU | | |
| MOINCA | 1.8 | 2014~2016 | 24GB | K5RTC-11 | K5RTPP | | | |
| MOINCA | 1.8 | 2012~2014 | 14GB | K5RTC-11 | K5RTPP | | | |
| New Santa Fe | 2.4 | 2021~2022 | G4KJ | | | LDK6RLII-11 | | |
| New Santa Fe | 2.0T | 2018~2019 | G4KH | | | TORCH10 | | |
| REINA | 1.4 | 2018~2019 | G4LC | | | LDK7RIU | | |
| REINA | 1.6 | 2010~2012 | G4FC | LDK7RAUY | | LDK7RAIU | | |
| SONATA | 2.0 | 2021~2022 | G4GC | | | K6RIU | | |
| SONATA | 2.7 | 2019~2020 | G6BA | K5RTC-11 | K5RTPP | | | |
| SONATA | 2.0 | 2019~2020 | G4NG | LDK7RAUY | | LDK7RAIU | | |
| SONATA | 2.5 | 2016~2017 | G6BV | | | K6RIU | | |
| SONATA | 1.6T | 2011~2012 | G4FJ | | | TORCH10 | | |
| SONATA | 2.0T | 2011~2012 | G4KH | | | TORCH10 | | |
| TUCSON | 2.0 | 2017~2018 | G4GC | | | K6RIU | | |



| | Model | Engine CC | Year | Type engine | EFFECTIVE | PLATINUM | IRIDIUM | |
|-----------------|-----------|-----------|-----------|-------------|-----------|----------|-------------|----------|
| Beijing-Hyundai | TUCSON | 2.7 | 2017~2018 | G6BA | K5RTC-11 | K5RTPP | TORCH10 | |
| | TUCSON | 1.6T | 2011~2013 | G4FJ | | | TORCH10 | |
| | TUCSON | 2.0 | 2010~2013 | G4NC | LDK7RAUY | | LDK7RAIU | |
| | VERNA | 1.4 | 2016~2018 | G4FA | LDK7RAUY | | LDK7RAIU | |
| | VERNA | 1.6 | 2016~2018 | G4FC | LDK7RAUY | | LDK7RAIU | |
| KIA | Cadenza | 2.4 | 2019~2022 | G4KE | | | KH6RIU | |
| | Carens | 2.0 | 2019~2021 | G4NA | LDK7RAUY | | LDK7RAIU | |
| | Carens | 1.6 | 2019~2022 | G4FC | LDK7RAUY | | LDK7RAIU | |
| | Opirus | 2.7 | 2011~2012 | G6EA | | | KH6RIU | |
| | Shuma | 1.6 | 2014~2015 | G4FC | LDK7RAUY | | LDK7RAIU | |
| | Shuma | 1.6T | 2015~2017 | G4FJ | | | TORCH10 | |
| | Shuma | 2.0 | 2017~2018 | G4KD | | | KH6RIU | |
| | Shuma | 2.0 | 2018~2020 | G4NA | LDK7RAUY | | LDK7RAIU | |
| | Sorento | 3.8 | 2020~2022 | G6DA | | | K6RIU | |
| | Sorento | 3.3 | 2015~2017 | G6DB | | | K6RIU | |
| | Sorento | 2.4 | 2016~2019 | G4KE | | | KH6RIU | |
| | Sorento | 2.4 | 2019~2020 | G4KJ | | | LDK6RLII-11 | |
| | Sorento L | 2.0T | 2019~2020 | G4KH | | | TORCH10 | |
| | Sorento L | 2.4 | 2020~2022 | G4KJ | | | LDK6RLII-11 | |
| | Sportage | 2.0 | 2020~2022 | G4KD | | | KH6RIU | |
| | VQ | 2.7 | 2015~2017 | G6EA | | | KH6RIU | |
| | Yueda KIA | Cerato | 1.6 | 2014~2017 | G4ED | | | K6RIU |
| | | Cerato | 1.8 | 2011~2017 | G4GB | | | K6RIU |
| | | Forte | 1.6 | 2014~ | G4FG | | | LDK7RAIU |
| | | Forte | 1.6 | 2016~2018 | G4FC | | | LDK7RAIU |
| K2S | | 1.4 | 2016~2019 | G4LC | | | LDK7RIU | |
| K3 | | 1.5 | 2021~ | G4FL | | | LDK7RAIU | |
| K3 | | 1.4T | 2014~2016 | G4LD | | | TORCH9 | |
| K3 | | 1.6 | 2017~2019 | G4FG | LDK7RAUY | | LDK7RAIU | |
| K3 | | 1.8 | 2019~2020 | G4NB | LDK7RAUY | | LDK7RAIU | |
| K4 | | 1.6T | 2012~2015 | G4FJ | | | TORCH10 | |
| K4 | | 2.0 | 2012~2015 | G4NA | LDK7RAUY | | LDK7RAIU | |
| K4 | | 1.8 | 2015~2016 | G4NB | LDK7RAUY | | LDK7RAIU | |
| K5 | | 1.6T | 2016~2018 | G4FJ | | | TORCH10 | |
| K5 | | 2.0T | 2016~2018 | G4KH | | | TORCH10 | |
| K5 | | 2.0 | 2019~2020 | G4KD | | | KH6RIU | |
| K5 | | 2.4 | 2014~2015 | G4KE | | | KH6RIU | |
| K5 | | 2.0 | 2019~2021 | G4NA | LDK7RAUY | | LDK7RAIU | |
| KX3 | | 1.6 | 2015~2018 | G4FG | LDK7RAUY | | LDK7RAIU | |
| KX3 | | 1.5 | 2021~ | G4FL | | | LDK7RAIU | |
| KX5 | | 1.6T | 2021~ | G4FJ | | | TORCH10 | |
| KX5 | | 2.0 | 2021~ | G4NC | LDK7RAUY | | LDK7RAIU | |
| KX7 | | 2.0T | 2012~2013 | G4KH | | | TORCH10 | |
| KX7 | | 2.4 | 2012~2012 | G4KJ | | | LDK6RLII-11 | |
| KX7 | | 2.0 | 2013~2015 | G4NC | LDK7RAUY | | LDK7RAIU | |
| KXI | | 1.4 | 2021~ | G4LC | | | LDK7RIU | |
| OPTIMA | | 1.8 | 2011~2014 | G4GB | | | K6RIU | |
| PEGAS | | 1.4 | 2020~ | G4LC | | | LDK7RIU | |
| QIANLIMA | | 1.3 | 2017~2020 | G4EA | | | K6RIU | |
| QIANLIMA | | 1.6 | 2017~2020 | G4ED | | | K6RIU | |
| RIO | | 1.6 | 2010~2011 | G4ED | | | K6RIU | |
| RIO | | 1.4 | 2013~2017 | G4EE | | | K6RIU | |
| Soul | | 1.6 | 2011~2014 | G4FC | LDK7RAUY | | LDK7RAIU | |
| Soul | | 2.0 | 2011~2014 | G4GC | K6RTC | | | |
| Sportage | | 2.0 | 2018~2020 | G4GC | K6RTC | | | |
| Sportage | | 2.7 | 2011~2014 | G6BA | K6RTC | | K6RIU | |
| Sportage R | | 1.4T | 2011~2014 | G4LD | | | TORCH9 | |
| Sportage R | | 2.0 | 2014~2018 | G4NA | LDK7RAUY | | LDK7RAIU | |
| Sportage R | | 2.0 | 2013~2016 | G4KD | | | KH6RIU | |
| Sportage R | | 2.4 | 2013~2016 | G4KE | | | KH6RIU | |



| | Model | Engine CC | Year | Type engine | EFFECTIVE | PLATINUM | IRIDIUM |
|------------|-------------|-----------|-----------|-------------|-----------|----------|----------|
| BAIC MOTOR | 1027 series | 1.2 | 2015~2016 | TNN4G12 | DK7RTC | | DK7RTI |
| | 306 | 1.3 | 2012~2016 | LJ474Q3E2 | K7RTC | | K7RTI |
| | 307 | 1.2 | 2013~2017 | A12 | LDK7RTC | | LDK7RTI |
| | 307 | 1.2 | 2015~2015 | A12 | | | LDK7RTI |
| | BJ20 | 1.5T | 2016~2018 | 4A91T | | KL7RTPP | |
| | BJ40 | 2.0T | 2015~2018 | B201R | | | K7RHII |
| | BJ40 | 2.3T | 2015~2018 | B231R | | | K7RHII |
| | BJ40 | 2.4 | 2013~2016 | G4CA | K6RTC | | |
| | BJ40 | 2.0T | 2020~2022 | HY4C20B | | | TORCH25 |
| | BJ40 PLUS | 2.0T | 2018~2019 | 4G20TI3 | | | TORCH1 |
| | BJ40 PLUS | 2.0T | 2018~2021 | B201R | | | K7RHII |
| | BJ40 PLUS | 2.3T | 2018~2021 | B231R | | | K7RHII |
| | BJ40L | 2.0T | 2015~2018 | B201R | | | K7RHII |
| | BJ40L | 2.3T | 2015~2018 | B231R | | | K7RHII |
| | BJ80 | 2.0T | 2016~2018 | B201R | | | K7RHII |
| | BJ80 | 2.3T | 2015~2018 | B231R | | | K7RHII |
| | BJ90 | 3.0T | 2015~2015 | 276 821 | | | C3 |
| | BJ90 | 4.0T | 2015~2015 | 278 912 | | | UH8RHII |
| | CC | 1.8T | 2013~2018 | B185RGA | | | K7RHII |
| | CC | 2.0T | 2010~2012 | B205RGA | | | K7RHII |
| | D20 Cross | 1.3 | 2010~2012 | A131 | K6RTM3 | | KL6RTIP |
| | D20 Cross | 1.5 | 2010~2012 | A151 | KL6RTC | | KL6RTI-8 |
| | D50 | 1.5 | 2010~2010 | A151 | KL6RTC | | KL6RTI-8 |
| | D60 | 1.8T | 2014~2015 | B185RGA | | | K7RHII |
| | D60 | 2.0T | 2015~2020 | B205EFA | | | K7RHII |
| | D60 | 2.0T | 2018~2020 | B205RGA | | | K7RHII |
| | D80 | 1.8T | 2010~2011 | B185RGA | | | K7RHII |
| | D80 | 2.0T | 2010~2012 | B205RGA | | | K7RHII |
| | D80 | 2.3T | 2010~2012 | B235RGA | | | K7RHII |
| | E series | 1.3 | 2012~2015 | 4A90M | K6RTM3 | | KL6RTI-8 |
| | E series | 1.5 | 2012~2015 | 4A91S | K6RTM3 | | KL6RTI-8 |
| | E series | 1.5 | 2012~2015 | A151 | | | KL6RTI-8 |
| | H2 | 1.5 | 2014~2014 | BJ415C | K6RTC | | |
| | H2 | 1.5 | 2015~2018 | BJ415C | K6RTC | | K6RIU |
| | H2E | 1.5 | 2015~2018 | BJ415A | K6RTC | | |
| | H2E | 1.5 | 2015~2018 | BJ415B | K6RTC | | |
| | H2V | 1.5 | 2016~2018 | BJ415A | K6RTC | | |
| | H3 | 1.5 | 2015~2020 | BJ415C | K6RTC | | K6RIU |
| | H3F | 1.5 | 2015~2016 | F15C | K6RTC | | |
| | H5 | 1.3T | 2017~2018 | F13B | | | UL8RTIP |
| H6 | 1.5 | 2015~2016 | M15C | K6RTC | | K6RIU | |
| H6 | 1.8 | 2015~2016 | M18A | K6RTC-11 | | K6RIU | |
| M20 | 1.2 | 2011~2013 | A122 | LDK7RTC | | LDK7RTI | |
| M20 | 1.5 | 2011~2013 | BJ415A | K6RTC | | | |
| M20 | 1.5 | 2011~2012 | BJ415B | K6RTC | | | |
| M20 | 1.5 | 2012~2014 | DAM15DL | DK7RTC | | DK7RIU | |
| M20S | 1.5 | 2013~2014 | DAM15DL | DK7RTC | | DK7RIU | |
| M30 | 1.2 | 2013~2016 | A122 | LDK7RTC | | LDK7RTI | |
| M30 | 1.5 | 2014~2015 | BJ415B | K6RTC | | | |
| M30 | 1.5 | 2014~2017 | DAM15DL | DK7RTC | | DK7RIU | |
| M30S | 1.5 | 2014~2015 | DAM15DL | DK7RTC | | DK7RIU | |
| M35 | 1.5 | 2012~2013 | BJ415B | K6RTC | | | |
| M35 | 1.5 | 2012~2013 | DAM15DL | DK7RTC | | DK7RIU | |
| M50F | 1.5 | 2013~2014 | A151 | KL6RTC | | KL6RTI-8 | |
| M60 | 1.5 | 2015~2017 | A151 | KL6RTC | | KL6RTI-8 | |
| M60 | 1.5T | 2014~2016 | A151E-1 | | KL7RTPP | | |
| S2 | 1.5 | 2014~2015 | BJ415B | K6RTC | | | |
| S2 | 1.5 | 2014~2015 | BJ415C | | | K6RIU | |
| S2 | 1.5 | 2020~2020 | BJ415C | K6RTC | | | |
| S2 | 1.5 | 2019~2020 | BJ415C | K6RTC | | K6RIU | |



| | Model | Engine CC | Year | Type engine | EFFECTIVE | PLATINUM | IRIDIUM |
|-------------------|------------------|-----------|-----------|-------------|-----------|----------|----------|
| BAIC MOTOR | S3 | 1.5 | 2019~2021 | BJ415C | K6RTC | | K6RIU |
| | S3 | 1.8 | 2016~2017 | R18A | K6RTC | | |
| | S3L | 1.5 | 2016~2017 | BJ415C | K6RTC | | K6RIU |
| | S5 | 1.3T | 2016~2017 | F13B | | | UL8RTIP |
| | S50 | 1.5T | 2014~2015 | 4A91T | | KL7RTPP | |
| | S6 | 1.5T | 2013~2015 | F15D | | | QH7RTIP |
| | S60 | 1.5T | 2015~2017 | 4A91T | | KL7RTPP | |
| | S7 | 1.5T | 2014~2015 | F15D | | | QH7RTIP |
| | T205-D | 1.0 | 2010~2013 | BJ410A1 | K6RTM2 | | KH6RIU |
| | T205-D | 1.3 | 2010~2013 | BJ413A | K7RTC | | |
| | U5 | 1.5 | 2020~2020 | A151 | | | KL6RTI-8 |
| | U5 | 1.5T | 2020~ | A151R1 | | KL7RTPP | |
| | X25 | 1.5 | 2010~2014 | A151 | KL6RTC | | KL6RTI-8 |
| | X3 | 1.5T | 2021~ | A151R1 | | KL7RTPP | |
| | X3 PLUS | 1.5T | 2021~ | A151R1 | | KL7RTPP | |
| | X35 | 1.5 | 2010~2012 | A151 | KL6RTC | | KL6RTI-8 |
| | X5 | 1.5T | 2020~ | A151R1 | | KL7RTPP | |
| | X55 | 1.5T | 2011~2017 | 4A91T | | KL7RTPP | |
| | X55 | 1.5 | 2011~2017 | A151 | KL6RTC | | KL6RTI-8 |
| | ZHIDA X3 | 1.5 | 2019~2020 | A151 | | | KL6RTI-8 |
| ZHIDA X3 | 1.5T | 2019~2021 | A151R1 | | KL7RTPP | | |
| ZHIDA X3 PLUS | 1.5T | 2020~2021 | A151R1 | | KL7RTPP | | |
| ZHIDAO U7 | 1.5T | 2019~ | A151R1 | | KL7RTPP | | |
| ZHIXING | 1.5T | 2017~2020 | A151E-1 | | KL7RTPP | | |
| ZHIXING | 1.5T | 2017~2020 | A151R1 | | KL7RTPP | | |
| BYD | Destroyer 5 DM-i | 1.5 | 2022~ | BYD472QA | | | OE214 |
| | F0 | 1.0 | 2015~2019 | BYD371QA | K6RTM2 | | K6RTMIP |
| | F3 | 1.5 | 2013~2017 | 4G15S | K7RF-11 | | K7RTI |
| | F3 | 1.5 | 2013~2017 | BYD473QB | K7RTC | | K7RTI |
| | F3 | 1.5 | 2014~2015 | BYD473QD | K7RTC | | K7RTI |
| | F3 | 1.5 | 2011~2020 | BYD473QE | K7RTC | | K7RTI |
| | F3 | 1.5T | 2014~2015 | BYD476ZQA | | | TORCH3 |
| | F3 | 1.6 | 2011~2017 | DA4G18 | K6RTC | | |
| | F3 | 1.5 | 2019~2022 | BYD473QF | | | K7RTI |
| | F3DM | 1.0 | 2010~2014 | BYD371QA | K6RTM2 | | K6RTMIP |
| | F3R | 1.5 | 2011~2014 | 4G15S | K7RF-11 | | K7RTI |
| | F3R | 1.5 | 2011~2014 | BYD473QB | K7RTC | | K7RTI |
| | F3R | 1.6 | 2011~2014 | DA4G18 | K6RTC | | |
| | F6 | 2.4 | 2010~2011 | 4G69S4M | KL6RTC | | KL6RTI-8 |
| | F6 | 1.8 | 2011~2014 | BYD483QA | K6RTC | | K6RIU |
| | F6 | 2.0 | 2011~2014 | BYD483QB | K6RTC | | K6RIU |
| | G3 | 1.5 | 2011~2012 | 4G15S | K7RF-11 | | K7RTI |
| | G3 | 1.5 | 2011~2012 | BYD473QB | K7RTC | | K7RTI |
| | G3 | 1.5 | 2013~2016 | BYD473QE | K7RTC | | K7RTI |
| | G3 | 1.8 | 2011~2016 | BYD483QA | K6RTC | | K6RIU |
| | G3R | 1.5 | 2011~2014 | BYD473QD | K7RTC | | K7RTI |
| | G3R | 1.8 | 2011~2014 | BYD483QA | K6RTC | | K6RIU |
| | G5 | 1.5T | 2014~2018 | BYD476ZQA | | | TORCH3 |
| | G6 | 1.5T | 2013~2016 | BYD476ZQA | | | TORCH3 |
| | G6 | 2.0 | 2017~2017 | BYD483QB | | | K6RIU |
| | L3 | 1.5 | 2011~2013 | 4G15S | K7RF-11 | | K7RTI |
| | L3 | 1.5 | 2011~2013 | BYD473QB | K7RTC | | K7RTI |
| | L3 | 1.5 | 2015~2016 | BYD473QE | K7RTC | | K7RTI |
| | L3 | 1.8 | 2011~2015 | BYD483QA | K6RTC | | K6RIU |
| | M6 | 2.4 | 2013~2019 | 4G69S4M | KL6RTC | | KL6RTI-8 |
| | M6 | 2.0 | 2013~2019 | BYD483QB | K6RTC | | K6RIU |
| | M6 | 2.4 | 2014~2019 | BYD488QA | K6RTC | | K6RIU |
| | QIN | 1.5 | 2019~ | BYD473QF | | | K7RTI |
| | QIN | 1.5T | 2018~2020 | BYD476ZQA | | | TORCH3 |
| QIN PLUS DM-i | 1.5 | 2021~ | BYD472QA | | | OE214 | |

| | Model | Engine CC | Year | Type engine | EFFECTIVE | PLATINUM | IRIDIUM |
|--------------|----------------|-----------|-----------|-------------|-----------|----------|----------|
| BYD | QIN Pro | 1.5 | 2018~2020 | BYD473QE | K7RTC | | K7RTI |
| | QIN Pro | 1.5T | 2018~2020 | BYD476ZQA | | | TORCH3 |
| | QIN Pro DM | 1.5T | 2018~2020 | BYD476ZQA | | | TORCH3 |
| | QIN Pro DM | 1.5T | 2019~ | BYD476ZQB | | | TORCH3 |
| | QIN100 | 1.5T | 2017~2020 | BYD476ZQA | | | TORCH3 |
| | S6 | 2.4 | 2013~2014 | 4G69S4M | KL6RTC | | KL6RTI-8 |
| | S6 | 1.5T | 2014~2017 | BYD476ZQA | | | TORCH3 |
| | S6 | 2.0 | 2014~2017 | BYD483QB | K6RTC | | K6RIU |
| | S6 | 2.4 | 2014~2017 | BYD488QA | K6RTC | | K6RIU |
| | S7 | 1.5T | 2017~2019 | BYD476ZQA | | | TORCH3 |
| | S7 | 2.0T | 2017~2019 | BYD487ZQA | | | C2 |
| | S8 | 2.0 | 2009~2013 | BYD483QB | K6RTC | | K6RIU |
| | SIRUI | 1.5T | 2013~2016 | BYD476ZQA | | | TORCH3 |
| | SONG | 1.5T | 2015~2019 | BYD476ZQA | | | TORCH3 |
| | SONG | 2.0T | 2018~2018 | BYD487ZQA | | | C2 |
| | SONG | 1.5T | 2020~2022 | BYD476ZQB | | | TORCH3 |
| | SONG DM | 1.5T | 2017~2018 | BYD476ZQA | | | TORCH3 |
| | SONG DM | 1.5T | 2019~2019 | BYD476ZQB | | | TORCH3 |
| | SONG MAX | 1.5T | 2019~2020 | BYD476ZQA | | | TORCH3 |
| | SONG MAX | 1.5T | 2020~2022 | BYD476ZQB | | | TORCH3 |
| | SONG MAX DM | 1.5T | 2019~2021 | BYD476ZQA | | | TORCH3 |
| | SONG MAX DM | 1.5T | 2019~2022 | BYD476ZQB | | | TORCH3 |
| | SONG MAX DM-i | 1.5 | 2022~ | BYD472QA | | | OE214 |
| | SONG PLUS DM-i | 1.5 | 2021~2022 | BYD472QA | | | OE214 |
| | SONG Pro | 1.5T | 2021~2022 | BYD476ZQB | | | TORCH3 |
| | SONG Pro DM | 1.5T | 2019~2021 | BYD476ZQB | | | TORCH3 |
| | SONG Pro DM-i | 1.5 | 2021~ | BYD472QA | | | OE214 |
| | SURUI | 1.5 | 2012~2020 | BYD473QE | K7RTC | | K7RTI |
| | SURUI | 1.5T | 2014~2015 | BYD476ZQA | | | TORCH3 |
| | TANG | 2.0T | 2019~2020 | BYD487ZQA | | | C2 |
| TANG 100 | 2.0T | 2017~2018 | BYD487ZQA | | | C2 | |
| TANG DM | 2.0T | 2019~2020 | BYD487ZQA | | | C2 | |
| YUAN | 1.5 | 2017~2020 | BYD473QE | K7RTC | | K7RTI | |
| YUAN | 1.5T | 2017~2020 | BYD476ZQA | | | TORCH3 | |
| CHERY | A1 | 1.3 | 2015~2020 | SQR473F | K7RTC | | |
| | A3 | 1.6 | 2015~2020 | SQR481F | K7RTC | | |
| | A5 | 1.6 | 2018~2019 | SQR481F | K7RTC | | |
| | A5 | 1.8 | 2019~2020 | SQR481FC | K7RTC | | |
| | A5 | 1.6 | 2015~2016 | SQR481H | K7RTJC | | |
| | A5 | 2.0 | 2016~2017 | SQR484F | K7RTC | | |
| | ARRIZO 3 | 1.5 | 2014~2016 | SQRD4G15 | K7RTC | | K7RTI |
| | ARRIZO 3 | 1.5 | 2017~2017 | SQRD4G15C | K7RTC | | |
| | ARRIZO 5 | 1.5 | 2019~2020 | SQRE4G15B | | | OE209 |
| | ARRIZO 5 | 1.6 | 2019~2020 | SQRE4G16C | | | OE208 |
| | ARRIZO 7 | 1.6 | 2016~2017 | SQRE4G16 | | | OE209 |
| | ARRIZO 7 | 1.5T | 2018~2021 | SQRE4T15B | | | OE208 |
| | ARRIZO EX | 1.5 | 2019~2020 | SQRE4G15B | | | OE209 |
| | ARRIZO EX | 1.5 | 2017~2018 | SQRE4G15C | | | OE209 |
| | ARRIZO GX | 1.5 | 2018~2019 | SQRE4G15C | | | OE209 |
| | ARRIZO GX | 1.5 | 2019~2020 | SQRE4G15C | | | OE209 |
| | ARRIZO GX | 1.5 | 2021~ | SQRE4G15C | | | OE209 |
| | ARRIZO GX | 1.5T | 2014~2016 | SQRE4T15B | | | OE208 |
| | ARRIZO GX | 1.5T | 2015~2017 | SQRE4T15C | | | OE208 |
| | ARRIZO M7 | 2.0 | 2013~2016 | SQR484F | K7RTC | | |
| DA SHENG | 1.6T | 2022~ | SQRF4J16 | | | OE208 | |
| E3 | 1.5 | 2013~2015 | SQRD4G15 | K7RTC | | K7RTI | |
| E3 | 1.6 | 2015~2015 | SQR477FD | K7RTC | | | |
| E5 | 1.5 | 2010~2012 | SQR477F | K6RUY-11 | | | |
| E5 | 1.8 | 2012~2013 | SQR481FC | K7RTC | | | |
| E5 | 1.5 | 2010~2012 | SQRD4G15 | K7RTC | | K7RTI | |



| Model | Engine CC | Year | Type engine | EFFECTIVE | PLATINUM | IRIDIUM |
|------------|-----------|-----------|--------------|-----------|----------|----------|
| EASTAR | 2.0 | 2013~2016 | 4G63S4M | K7RF-11 | | |
| EASTAR | 1.8 | 2019~2021 | SQR481FC | 7026 | | |
| EASTAR | 2.0 | 2018~2021 | SQR484F | K7RTC | | |
| FULWIN | 1.6 | 2011~2013 | SQR480EB | K7RTC | | |
| FULWIN | 1.6 | 2013~2017 | SQR480ED | K7RTJC | | |
| G2 | 1.6 | 2016~2017 | SQRE4G16 | | | OE209 |
| G3 | 1.6 | 2017~2018 | SQRE4G16 | | | OE209 |
| G5 | 2.0T | 2018~2019 | SQR484B | | | K7RHII |
| G5 | 2.0 | 2018~2019 | SQR484F | K7RTC | | |
| G5 | 2.0T | 2019~2021 | SQR484J | K7RTC | | |
| G5 | 1.8T | 2019~2021 | SQRD4T18 | | | K7RHII |
| G5 | 2.0T | 2019~2020 | SQRE4T20 | K7RTC | | |
| G6 | 1.8T | 2015~2017 | SQRD4T18 | | | K7RHII |
| G6 | 2.0T | 2015~2017 | SQRE4T20 | K7RTC | | |
| H5 | 2.0T | 2010~2010 | SQR484B | K7RTJC | | K7RHII |
| HIGGO | 2.2 | 2013~2016 | JM491Q-ME | F6RTC | | |
| K50 | 1.5 | 2016~2019 | SQRD4G15 | K7RTC | | K7RTI |
| K60 | 1.5 | 2019~2020 | SQRD4G15 | K7RTC | | K7RTI |
| Karry 3 | 1.6 | 2012~2016 | SQR480ED | K7RTJC | | |
| LAN YUE | 1.6T | 2010~2016 | SQRF4J16 | | | OE208 |
| LING YUN | 1.6T | 2022~ | SQRF4J16 | | | OE208 |
| M1 | 1.0 | 2015~2017 | SQR371F | LDK7RAUY | | LDK7RAIU |
| M1 | 1.0 | 2017~2019 | SQR472FB | 7026 | | |
| M1 | 1.3 | 2019~2020 | SQR473F | K6RF-11 | | |
| M5 | 1.3 | 2015~2016 | SQR473F | K6RF-11 | | |
| OMODA | 1.5T | 2022~ | SQRE4T15C | | | OE208 |
| OMODA | 1.6T | 2022~ | SQRF4J16 | | | OE208 |
| QIYUN | 1.6 | 2010~2013 | SQR480ED | K7RTJC | | |
| QIYUN | 1.3 | 2013~2017 | SQR475E | K6RF-11 | | |
| QIYUN | 1.5 | 2014~2020 | SQR477F | 7026 | | |
| QIYUN | 1.3 | 2011~2015 | SQR477FB | K7RTJC | | |
| QIYUN | 1.6 | 2017~2018 | SQR477FD | K7RTJC | | |
| QIYUN | 1.6 | 2018~2020 | SQR480EC | K7RTJC | | |
| QIYUN | 1.6 | 2020~2021 | SQR480ED | K7RTJC | | |
| QIYUN | 1.6 | 2017~2018 | SQR480EJ | K7RTJC | | |
| QIYUN | 1.6 | 2018~2020 | SQR480ES | K7RTC | | |
| QIYUN | 1.6 | 2020~2021 | TRITEC1.6L | K7RTC | | |
| QIYUN 1 | 1.0 | 2018~2020 | SQR371F | LDK7RAUY | | LDK7RAIU |
| QIYUN 1 | 1.0 | 2020~2021 | SQR472FB | 7026 | | |
| QIYUN 1 | 1.3 | 2011~2016 | SQR473F | K7RTC | | |
| QIYUN 2 | 1.5 | 2013~2016 | SQR477F | 7026 | | |
| QIYUN 3 | 1.5 | 2015~2015 | SQR477F | 7026 | | |
| QIYUN 3 | 1.8 | 2012~2017 | SQR481FC | 7026 | | |
| QIYUN 3 | 2.0 | 2014~2016 | SQR484F | K7RTC | | |
| QIYUN 5 | 1.8 | 2015~2016 | SQR481FC | K7RTC | | |
| QIYUN 5 | 1.8 | 2015~2016 | SQR481FC | K7RTC | | |
| QIYUN STAR | 1.6 | 2016~2019 | SQR480EC | K7RTJC | | |
| QIYUN STAR | 1.6 | 2016~2019 | SQR480ED | K7RTJC | | |
| QIYUN STAR | 1.6 | 2016~2019 | TRITEC1.6L | K7RTC | | |
| QQ | 1.1 | 2015~2015 | DA465Q-1A2/D | F6RTC | F6RTP | |
| QQ | 1.1 | 2015~2016 | LJ465Q-1ANE | F6RTC | F6RTP | |
| QQ | 0.8 | 2010~2013 | SQR372 | 7026 | | |
| QQ | 1.0 | 2011~2013 | SQR371F | LDK7RAUY | | LDK7RAIU |
| QQ3 | 0.8 | 2015~2016 | SQR372 | 7026 | | |
| QQ3 | 0.8 | 2010~2014 | SQR372FD | 7026 | | |
| QQ3 | 1.0 | 2011~2014 | SQR371F | LDK7RAUY | | LDK7RAIU |
| QQ3 | 1.0 | 2014~2015 | SQR472FB | 7026 | | |
| QQ3 | 0.8 | 2015~2016 | SQRE3G08 | LDK7RTC | | LDK7RTI |
| QQ6 | 1.1 | 2016~2019 | SQR472F | 7026 | | |
| QQ6 | 1.3 | 2010~2014 | SQR473F | 7026 | | |



| Model | Engine CC | Year | Type engine | EFFECTIVE | PLATINUM | IRIDIUM |
|----------------------|-----------|-----------|-------------|-----------|----------|------------|
| TIGGO | 2.4 | 2011~2013 | 4G64S4M | K6RF-11 | | |
| TIGGO | 1.6 | 2017~2018 | SQR481F | K7RTJC | | |
| TIGGO | 1.8 | 2018~2019 | SQR481FC | K7RTJC | | |
| TIGGO | 2.0 | 2020~2022 | SQR484F | K7RTC | | |
| TIGGO | 1.6 | 2020~2022 | SQRE4G16 | | | OE209 |
| TIGGO 3 | 1.6 | 2011~2012 | SQRE4G16 | | | OE209 |
| TIGGO 3 | 1.6 | 2011~2012 | SQRE4G16 | | | OE209 |
| TIGGO 3 | 1.6 | 2011~2012 | SQRE4G16 | | | OE209 |
| TIGGO 3 | 1.5 | 2021~ | SQRE4G15C | | | OE209 |
| TIGGO 3 | 1.5T | 2021~ | SQRE4T15C | | | OE208 |
| TIGGO 5 | 2.0 | 2016~2017 | SQR484F | K7RTC | | |
| TIGGO 5 | 1.5T | 2017~2020 | SQRE4T15 | | | OE208 |
| TIGGO 7 | 2.0 | 2021~2022 | SQRD4G20 | K7RTC | | K7RTI |
| TIGGO 7 | 1.5T | 2019~2021 | SQRE4T15 | | | OE208 |
| TIGGO 7 | 1.5T | 2018~2021 | SQRE4T15B | | | OE208 |
| TIGGO 7 | 1.5T | 2018~ | SQRE4T15C | | | OE208 |
| TIGGO 7 | 1.6T | 2019~2021 | SQRF4J16 | | | OE208 |
| TIGGO 8 | 1.5T | 2016~2018 | SQRE4T15B | | | OE208 |
| TIGGO 8 | 1.5T | 2017~2018 | SQRE4T15B | | | OE208 |
| TIGGO 8 | 1.5T | 2018~2022 | SQRE4T15C | | | OE208 |
| TIGGO 8 | 1.6T | 2022~ | SQRF4J16 | | | OE208 |
| TIGGO 8 | 2.0T | 2021~ | SQRF4J20 | | | LDK8RTIP-B |
| TIGGO DR | 1.8 | 2010~2012 | SQR481FC | K6RF-11 | | |
| TIGGO DR | 1.8 | 2010~2012 | SQR481FC | K6RF-11 | | |
| TIGGO S | 1.6T | 2010~2012 | SQR481FG | | | K7RHII |
| TX | 1.6T | 2021~ | SQRF4J16 | | | OE208 |
| V5 | 2.0 | 2012~2012 | SQR484F | K7RTC | | |
| V5 | 1.8 | 2011~2016 | SQR481FC | 7026 | | |
| V5 | 2.0 | 2012~2014 | SQR484F | K7RTC | | |
| X1 | 1.3 | 2016~2020 | SQR473F | K7RTJC | | |
| X1 | 1.5 | 2018~2020 | SQRD4G15 | K7RTC | | K7RTI |
| X70 | 1.5T | 2010~2022 | SQRE4T15C | | | OE208 |
| X90 | 2.0T | 2021~ | SQRF4J20 | | | LDK8RTIP-B |
| X95 | 1.6T | 2022~ | SQRF4J16 | | | OE208 |
| YOU JING | 1.5 | 2019~ | DAM15KR | DK7RTC | | |
| YOU JING | 1.1 | 2012~2020 | SQR472WF | K6RF-11 | | |
| YOU PAI | 1.0 | 2012~2016 | SQR472WC | K6RF-11 | | |
| YOU PAI | 1.1 | 2016~2016 | SQR472WF | K6RF-11 | | |
| YOU SHENG | 1.0 | 2015~2017 | SQR472WC | K6RF-11 | | |
| YOU SHENG | 1.1 | 2015~2017 | SQR472WF | K6RF-11 | | |
| YOU YA | 1.2 | 2016~2019 | SQR472FC | K6RF-11 | | |
| YOU YI | 1.5 | 2012~2016 | SQR477F | K6RF-11 | | |
| YOU YOU | 1.2 | 2018~2019 | SQR472WB | K6RF-11 | | |
| YOU YOU | 1.5 | 2021~ | DAM15KR | DK7RTC | | |
| ZHUI FENG | 1.5T | 2021~ | SQRE4T15C | | | OE208 |
| ZHUI FENG | 1.6T | 2021~ | SQRF4J16 | | | OE208 |
| DISCOVERY SPORT | 2.0T | 2011~2012 | 204PT | | | QH6RHII |
| DISCOVERY SPORT | 2.0T | 2016~2017 | PT204 | | | LD8RKII |
| DISCOVERY SPORT 48V | 2.0T | 2017~2019 | PT204 | | | LD8RKII |
| DISCOVERY SPORT PHEV | 1.5T | 2022~ | PT153 | | | LD8RKII |
| EVOQUE | 2.0T | 2016~2019 | 204PT | | | QH6RHII |
| XEL | 2.0T | 2022~ | PT204 | | | LD8RKII |
| CHANGAN STAR | 1.2 | 2012~2018 | JL473Q | DK7RTC | | DK7RTI |
| CHANGAN STAR | 1.2 | 2013~2015 | JL473QE | DK7RTC | | DK7RTI |
| CHANGAN STAR | 1.0 | 2010~2013 | JL466Q8 | DK7RTC | | |
| CHANGAN XIAOKA | 2.2 | 2015~2015 | 491QE | F6RTC | F6RTP | |
| CHANGAN XIAOKA | 1.5 | 2013~2016 | DAM15R | DK7RTC | | |
| CHANGAN XIAOKA | 1.5 | 2019~2019 | DAM15R1 | DK7RTC | | |
| CHANGAN XIAOKA | 1.0 | 2011~2012 | JL466Q4 | DK7RTC | | DK7RTI |
| CS15 | 1.5 | 2016~2019 | JL473QF | DK7RTC | | DK7RTI |



| | Model | Engine CC | Year | Type engine | EFFECTIVE | PLATINUM | IRIDIUM |
|--------------|------------------|-----------|-----------|-------------|-----------|----------|---------|
| CHANGAN | CS35 | 1.6 | 2013~2015 | JL478QEG | | | LD7RIU |
| | CS35 | 1.5T | 2017~2021 | 4G15T | | KL7RTPP | |
| | CS35 | 1.6 | 2017~2021 | JL478QEE | | | LD7RIU |
| | CS55 | 1.5T | 2019~2021 | JL476ZQCD | | | TORCH9 |
| | CS75 | 1.5T | 2017~2019 | JL476ZQCA | | | TORCH9 |
| | CS75 | 2.0 | 2016~2017 | JL486Q5 | K7RTC | | |
| | CS75 | 1.8T | 2018~2020 | JL486ZQ2 | | | K7RHII |
| | CS75 | 1.5T | 2021~2022 | JL476ZQCF | | | TORCH9 |
| | CS85 COUPE | 1.5T | 2021~2022 | JL476ZQCF | | | TORCH9 |
| | CS85 COUPE | 2.0T | 2019~2020 | JL486ZQ3 | | | K7RHII |
| | CS85 COUPE | 2.0T | 2022~ | JL486ZQ4 | | | K7RHII |
| | CS95 | 2.0T | 2017~2019 | JL486ZQ3 | | | K7RHII |
| | CS95 | 2.0T | 2021~ | JL486ZQ4 | | | K7RHII |
| | CX20 | 1.3 | 2010~2012 | JL474QK | K7RTC | | K7RTI |
| | CX20 | 1.3 | 2010~2013 | JL474QL | K7RTC | | K7RTI |
| | CX20 | 1.4 | 2013~2018 | JL473Q1 | DK7RTC | | DK7RTI |
| | CX70 | 1.6 | 2019~2020 | 4G18M2 | K6RTM3 | | KL6RTI |
| | CX70T | 1.5T | 2017~2020 | JL476ZQCC | | | TORCH9 |
| | EADO | 1.5T | 2015~2016 | JL476ZQCA | | | TORCH9 |
| | EADO | 1.6 | 2013~2014 | JL478QEB | | | LD7RIU |
| | EADO | 1.6 | 2012~2016 | JL478QEJ | | | LD7RIU |
| | EADO | 1.6 | 2013~2017 | JL478QEK | | | LD7RIU |
| | EADO | 1.6 | 2016~2018 | JL478QEA | | | LD7RIU |
| | EADO | 1.6 | 2016~2018 | JL478QEN | | | OE203 |
| | EADO | 1.4T | 2019~2020 | JL473ZQ3 | | | OE204 |
| | EADO | 1.6 | 2019~2020 | JL478QEP | | | OE203 |
| | E-STAR | 1.4 | 2018~2020 | JL473Q1 | DK7RTC | | DK7RTI |
| | OSHAN | 1.5 | 2017~2018 | DAM15B | DK7RTC | | DK7RTI |
| | OUNUO | 1.5 | 2017~2018 | 4G15V | K7RTC | | K7RTI |
| | OUNUO | 1.3 | 2014~2018 | JL474QAD | K7RTC | | K7RTI |
| | RUIXING | 1.5 | 2013~2018 | 4G15S | K7RF-11 | | K7RTI |
| | UNI-T | 1.5T | 2021~2021 | JL473ZQ5 | | | OE204 |
| | UNI-T | 1.5T | 2022~ | JL473ZQ7 | | | OE204 |
| | UNI-V | 1.5T | 2021~ | JL473ZQ7 | | | OE204 |
| | V5 | 1.5 | 2013~2020 | DAM15R | DK7RTC | | DK7RTI |
| | V5 | 1.2 | 2013~2020 | DK12-01 | DK7RTC | | DK7RTI |
| | V5 | 1.5 | 2014~2014 | DK15-07 | LDK7RTC | | |
| | V5 | 1.5 | 2019~2021 | DK15-10 | LDK7RTC | | |
| | V5 | 1.2 | 2013~2020 | LJ469Q-1AE2 | DK7RTC | | DK7RTI |
| | X5 | 1.5T | 2020~ | JL473ZQ2 | | | OE204 |
| | X5 | 1.6 | 2021~2022 | JL478QEP | | | OE203 |
| | X7 | 1.5T | 2020~2021 | JL476ZQCF | | | TORCH9 |
| | YUEXIANG V3 | 1.3 | 2012~2014 | JL474QAF | K7RTC | | K7RTI |
| | YUEXIANG V3 | 1.4 | 2015~2018 | JL473Q1 | DK7RTC | | DK7RTI |
| | Z6 | 1.5T | 2022~ | JL473ZQ7 | | | OE204 |
| CHANGAN FORD | ECOSPORT | 1.5 | 2016~2017 | CAF479Q0 | | | TORCH7 |
| | ECOSPORT | 1.5 | 2013~2016 | CT | | | TORCH7 |
| | ECOSPORT | 1.0T | 2016~2017 | GTDIQ3 | | | TORCH6 |
| | ECOSPORT | 1.0T | 2018~2019 | CAF372WQ0 | | | TORCH6 |
| | ECOSPORT | 1.5 | 2019~2020 | CAF384Q0 | | | TORCH7 |
| | ECOSPORT | 2.0 | 2018~2020 | GDIQ1 | | | TORCH7 |
| | EDGE | 2.0T | 2018~2019 | CAF488WQ5 | | | TORCH7 |
| | EDGE | 2.0T | 2019~2019 | CAF488WQB5 | | | TORCH7 |
| | EDGE | 2.0T | 2019~2020 | CAF488WQB6 | | | TORCH7 |
| | ESCAPE | 1.5T | 2019~2020 | CAF384WQ06 | | | TORCH27 |
| | ESCAPE | 2.0T | 2019~ | CAF488WQE6 | | | TORCH27 |
| | ESCORT | 1.5 | 2017~2018 | CAF479Q1 | | | TORCH7 |
| | ESCORT | 1.5 | 2019~2020 | CAF384Q25 | | | TORCH7 |
| | ESCORT | 1.5 | 2021~ | CAF384Q26 | | | TORCH7 |
| | FIESTA-hatchback | 1.3 | 2011~2013 | ZJ | K6RF-11 | | |

| | Model | Engine CC | Year | Type engine | EFFECTIVE | PLATINUM | IRIDIUM |
|-------------------------|------------------|-----------|-----------|-------------|-----------|----------|------------|
| CHANGAN FORD | FIESTA-hatchback | 1.5 | 2012~2013 | ZY | K6RUY-11 | | |
| | FIESTA-hatchback | 1.0T | 2014~2017 | CAF372WQ0 | | | TORCH6 |
| | FIESTA-hatchback | 1.5 | 2014~2017 | CAF479Q0 | | | TORCH7 |
| | FIESTA-hatchback | 1.5 | 2013~2014 | CT | | | TORCH7 |
| | FIESTA-hatchback | 1.5 | 2013~2014 | CT | | | TORCH7 |
| | FIESTA-hatchback | 1.0T | 2014~2017 | GTDIQ3A | | | TORCH6 |
| | FOCUS Active | 1.5T | 2020~2022 | CAF384WQ06 | | | QH6RHII |
| | KUGA | 2.0T | 2014~2016 | CAF488WQ2 | | | TORCH7 |
| | KUGA | 1.6T | 2012~2015 | GTDIQ2 | | | TORCH17 |
| | KUGA | 1.5T | 2018~2021 | CAF479WQ1 | | | TORCH26 |
| | KUGA | 1.5T | 2019~2022 | CAF479WQ5 | | | TORCH26 |
| | KUGA | 2.0T | 2018~2021 | CAF488WQ9 | | | TORCH7 |
| | MONDEO | 2.0T | 2013~2016 | CAF488WQ3 | | | TORCH7 |
| | MONDEO | 2.0T | 2013~2016 | CAF488WQ4 | | | TORCH7 |
| | MONDEO | 1.5T | 2013~2016 | GTDIQ4 | | | TORCH26 |
| | MONDEO | 1.5T | 2018~2020 | CAF479WQ0 | | | TORCH26 |
| | MONDEO | 1.5T | 2019~2020 | CAF479WQ4 | | | TORCH26 |
| | MONDEO | 2.0T | 2020~2021 | CAF488WQ6 | | | TORCH7 |
| | MONDEO | 2.0T | 2018~2020 | CAF488WQ8 | | | TORCH7 |
| | MONDEO | 2.3 | 2013~2016 | L3 | | | QH6RTI-13 |
| CHANGAN LINCOLN | CORSAIR | 2.0T | 2022~ | CAF488WQE6 | | | TORCH27 |
| CHANGAN MAZDA | CX-30 | 2.0 | 2017~2019 | PE | | | LD7RJII-11 |
| | CX-5 | 2.0 | 2022~ | PE | | | LD7RJII-11 |
| | CX-5 | 2.5 | 2022~ | PY | | | LD7RJII-11 |
| | CX-8 | 2.5 | 2018~ | PY | | | LD7RJII-11 |
| | MAZDA 3 | 2.0 | 2017~2019 | LF | | | QH6RTI-13 |
| | MAZDA 3 | 1.6 | 2017~2019 | Z6 | | | K6RIU |
| CHANGAN PEUGEOT CITROEN | DS 4S | 1.6T | 2017~2020 | 5G02 | | | TORCH11 |
| | DS 4S | 1.8T | 2016~2017 | 6G01 | | | TORCH11 |
| | DS 4S | 1.2T | 2016~2017 | HN03 | | | TORCH11 |
| | DS 5LS | 1.6T | 2015~2016 | 5F03 | | | TORCH11 |
| | DS 5LS | 1.6T | 2015~2016 | 5F06 | | | TORCH11 |
| | DS 5LS | 1.6T | 2017~2020 | 5G02 | | | TORCH11 |
| | DS 5LS | 1.8T | 2016~2017 | 6G01 | | | TORCH11 |
| | DS 5LS | 1.8 | 2013~2015 | WFZ | K6RTM2 | | K6RTMIP |
| | DS5 | 1.6T | 2014~2015 | 5F03 | | | TORCH11 |
| | DS5 | 1.6T | 2014~2017 | 5F06 | | | TORCH11 |
| | DS5 | 1.6T | 2017~2020 | 5G02 | | | TORCH11 |
| | DS5 | 1.8T | 2017~2020 | 6G01 | | | TORCH11 |
| DS6 | 1.6T | 2014~2017 | 5F03 | | | TORCH11 | |
| DS6 | 1.6T | 2017~2020 | 5G02 | | | TORCH11 | |
| DS6 | 1.8T | 2017~2017 | 6G01 | | | TORCH11 | |
| CHANGAN SUZUKI | ALTO | 0.8 | 2020~2022 | JL368Q3 | F6RTC | F6RTP | |
| | ALTO | 1.0 | 2016~2020 | K10B | DK7RTC | | |
| | ALTO | 1.0 | 2017~2020 | K10B1 | DK7RTC | | |
| | SWIFT | 1.3 | 2011~2015 | G13B | K6RTC | | |
| | SWIFT | 1.3 | 2015~2020 | G13B1 | K6RTC | | |
| | SWIFT | 1.3 | 2014~2016 | JL474Q5 | K6RF-11 | | |
| CHANGAN VOLVO | SWIFT | 1.3 | 2015~2020 | JL474Q8 | K6RF-11 | | |
| | SWIFT | 1.5 | 2019~2019 | M15A | K6RUY-11 | | |
| | S80L | 3.0T | 2010~2016 | B6304T2 | | | C2 |
| | S80L | 2.0T | 2010~2016 | B4204T6 | | | QH6RHII |
| | S80L | 2.0T | 2011~2013 | B4204T7 | | | QH6RHII |
| | S80L | 2.0T | 2011~2013 | B5204T9 | | | C2 |
| GREAT WALL | S80L | 3.0T | 2015~2017 | B6304T4 | | | C2 |
| | C20R | 1.5 | 2013~2016 | GW4G15 | K7RTC0 | | K7RTI |
| | C30 | 1.5 | 2015~2018 | GW4G15 | K7RTC0 | | K7RTI |
| | C50 | 1.5 | 2012~2013 | GW4G15 | K7RTC0 | | K7RTI |
| | C50 | 1.5T | 2015~2017 | GW4G15T | | | TORCH20 |
| CHITU | 1.5T | 2021~ | GW4G15K | | | OE215 | |



| Model | Engine CC | Year | Type engine | Type | | |
|-------------|-----------|-----------|-------------|-----------|----------|----------|
| | | | | EFFECTIVE | PLATINUM | IRIDIUM |
| CHULIAN | 1.5T | 2020~ | GW4G15K | | | OE215 |
| F5 | 1.5T | 2019~2020 | GW4B15 | | | TORCH13 |
| F5 | 1.5T | 2020~2021 | GW4B15A | | | TORCH13 |
| F5 | 1.5T | 2019~2021 | GW4G15F | | | TORCH20 |
| F7 | 1.5T | 2018~2019 | GW4B15 | | | TORCH13 |
| F7 | 1.5T | 2018~2020 | GW4B15A | | | TORCH13 |
| F7 | 2.0T | 2018~2019 | GW4C20 | | | K7RHII |
| F7 | 2.0T | 2018~2020 | GW4C20B | | | TORCH25 |
| H1 | 1.5 | 2017~2019 | GW4G15 | K7RTC0 | | K7RTI |
| H2 | 1.5T | 2014~2019 | GW4G15B | | | TORCH20 |
| H2 | 1.5T | 2019~2021 | GW4G15F | | | TORCH20 |
| H4 | 1.3T | 2018~2018 | GW4B13 | | | TORCH20 |
| H4 | 1.5T | 2018~2020 | GW4B15 | | | TORCH13 |
| H4 | 1.5T | 2019~2021 | GW4B15A | | | TORCH13 |
| H4 | 2.0T | 2017~2017 | GW4C20 | | | K7RHII |
| H4 | 1.5T | 2019~2021 | GW4G15F | | | TORCH20 |
| H5 | 2.0 | 2014~2017 | 4G63S4M | K7RF-11 | | |
| H5 | 2.0T | 2017~2021 | 4G63S4T | | | K7RTAI |
| H6 | 2.4 | 2013~2016 | 4G69S4M | KL6RTC | | KL6RTI-8 |
| H6 | 1.5T | 2017~2018 | GW4G15B | | | TORCH20 |
| H6 | 1.3T | 2017~2018 | GW4B13 | | | TORCH20 |
| H6 | 1.5T | 2019~2019 | GW4B15 | | | TORCH13 |
| H6 | 1.5T | 2019~2020 | GW4B15A | | | TORCH13 |
| H6 | 2.0T | 2017~2018 | GW4C20 | | | K7RHII |
| H6 | 2.0T | 2019~2020 | GW4C20B | | | TORCH25 |
| H6 | 1.5T | 2020~2022 | GW4G15F | | | TORCH20 |
| H7 | 2.0T | 2016~2018 | GW4C20A | | | TORCH22 |
| H7 | 2.0T | 2019~2020 | GW4C20B | | | TORCH25 |
| H8 | 2.0T | 2015~2017 | GW4C20 | | | K7RHII |
| H8 | 2.0T | 2017~2019 | GW4C20A | | | TORCH22 |
| H9 | 2.0T | 2016~2018 | GW4C20 | | | K7RHII |
| H9 | 2.0T | 2017~2019 | GW4C20A | | | TORCH22 |
| H9 | 2.0T | 2019~2021 | GW4C20B | | | TORCH25 |
| Haval H3 | 2.4 | 2010~2013 | 4G69S4N | K6RF-11 | | |
| Haval H3 | 2.0 | 2012~2013 | 4G63S4M | K7RF-11 | | |
| Haval H5 | 2.0 | 2012~2014 | 4G63S4M | K7RF-11 | | |
| Haval H5 | 2.4 | 2012~2013 | 4G69S4N | K6RF-11 | | |
| Haval H6 | 2.0 | 2011~2014 | 4G63S4M | K7RF-11 | | |
| Haval H6 | 2.4 | 2012~2014 | 4G69S4M | KL6RTC | | KL6RTI-8 |
| Haval H6 | 1.5T | 2012~2014 | GW4G15B | | | TORCH20 |
| Haval M1 | 1.3 | 2010~2013 | GW4G13 | K7RTC0 | | K7RTI |
| Haval M4 | 1.5 | 2012~2014 | GW4G15 | K7RTC0 | | K7RTI |
| JINGANG PAO | 2.0T | 2022~ | GW4C20B | | | TORCH25 |
| M2 | 1.5 | 2014~2016 | GW4G15 | K7RTC0 | | K7RTI |
| M4 | 1.5 | 2015~2017 | GW4G15 | K7RTC0 | | K7RTI |
| M6 | 1.5T | 2019~2021 | GW4G15B | | | TORCH20 |
| M6 | 1.5T | 2019~2021 | GW4G15F | | | TORCH20 |
| P8 | 2.0T | 2018~2020 | GW4C20A | | | TORCH22 |
| PAO | 2.0T | 2021~ | GW4C20B | | | TORCH25 |
| SAIKU | 2.2 | 2010~2010 | 491QE | F6RTC | F6RTP | |
| TANK 300 | 2.0T | 2020~2022 | E20CB | | | TORCH25 |
| Truck | 2.2 | 2010~2010 | 491QE | F6RTC | F6RTP | |
| V80 | 2.0 | 2010~2013 | 4G63S4M | K7RF-11 | | |
| V80 | 2.0 | 2013~2014 | 4G63S4N | KL6RTC | | KL6RTI-8 |
| V80 | 2.4 | 2013~2014 | 4G69S4M | KL6RTC | | KL6RTI-8 |
| V80 | 1.5T | 2013~2014 | GW4G15T | | | TORCH20 |
| VV5 | 2.0T | 2019~2020 | E20CB | | | TORCH25 |
| VV5 | 1.5T | 2019~2019 | GW4B15A | | | TORCH13 |
| VV5 | 2.0T | 2018~2019 | GW4C20 | | | K7RHII |
| VV5 | 2.0T | 2019~2019 | GW4C20B | | | TORCH25 |

GREAT WALL

| Model | Engine CC | Year | Type engine | Type | | |
|--------------|-----------|-----------|-------------|-----------|----------|----------|
| | | | | EFFECTIVE | PLATINUM | IRIDIUM |
| VV6 | 2.0T | 2019~2020 | E20CB | | | TORCH25 |
| VV6 | 2.0T | 2018~2020 | GW4C20 | | | K7RHII |
| VV6 | 2.0T | 2018~2020 | GW4C20B | | | TORCH25 |
| VV7 | 2.0T | 2019~2021 | E20CB | | | TORCH25 |
| VV7 | 2.0T | 2019~2020 | GW4C20A | | | TORCH22 |
| VV7 | 2.0T | 2019~2020 | GW4C20B | | | TORCH25 |
| Wingle | 2.2 | 2010~2016 | 491QE | F6RTC | F6RTP | |
| Wingle 3 | 2.2 | 2011~2013 | 491QE | F6RTC | F6RTP | |
| Wingle 3 | 2.4 | 2011~2013 | 4G69S4N | K6RF-11 | | |
| Wingle 5 | 2.2 | 2015~2017 | 491QE | F6RTC | F6RTP | |
| Wingle 5 | 2.4 | 2013~2016 | 4G69S4N | K6RF-11 | | |
| Wingle 5 | 2.4 | 2021~ | 4K22D4M | | | LDK7RTII |
| Wingle 5 | 1.5T | 2021~ | GW4G15K | | | OE215 |
| Wingle 6 | 2.4 | 2015~2016 | 4G69S4N | K6RF-11 | | |
| XUANLI | 1.3 | 2010~2012 | GW4G13 | K7RTC0 | | K7RTI |
| XUANLI | 1.5 | 2010~2012 | GW4G15 | K7RTC0 | | K7RTI |
| XUANLI Cross | 1.3 | 2011~2014 | GW4G13 | K7RTC0 | | K7RTI |
| XUANLI Cross | 1.5 | 2011~2014 | GW4G15 | K7RTC0 | | K7RTI |
| BADAO | 2.2 | 2015~2016 | JM491Q-ME | F6RTC | | |
| BADAO | 2.4 | 2015~2016 | XC4G24 | K7RTC0 | | K7RTI |
| BADAO | 2.0 | 2014~2016 | XC4G19 | F6RTC | F6RTP | |
| BADAO 009 | 2.2 | 2014~2016 | XC4RB3 | K7RTC0 | | |
| BADAO 009 | 2.0 | 2012~2014 | XC4G19 | F6RTC | F6RTP | |
| DAHAISHI L | 2.7 | 2018~ | 2TR | K6RTM3 | | KL6RTIP |
| DAHAISHI L | 2.7 | 2018~ | 3TZ | | | K6RTMIP |
| DAHAISHI L | 2.4 | 2018~ | 4RB2 | K7RTC | | |
| DAHAISHI LL | 2.7 | 2017~2018 | 3TZ | | | K6RTMIP |
| DAHAISHI W | 2.4 | 2018~2019 | 4RB2 | K7RTC | | |
| DAHAISHI W | 2.2 | 2016~ | V22 | F6RTC-11 | | |
| DALISHEN | 2.2 | 2019~2020 | V22 | F6RTC-11 | | |
| DALISHEN | 2.2 | 2018~2020 | JM491Q-ME | F6RTC | | |
| DALISHEN K5 | 2.2 | 2021~2022 | JM491Q-ME | F6RTC | | |
| DALISHEN K5 | 2.2 | 2019~2020 | V22 | F6RTC-11 | | |
| DIACI | 1.5T | 2020~2021 | 4A15TS | | | DK8RTIP |
| GERUISHI | 2.0 | 2021~2022 | 1TR | K6RTM3 | | KL6RTIP |
| GERUISHI | 2.7 | 2021~2022 | 2TR | K6RTM3 | | KL6RTIP |
| GERUISHI | 2.7 | 2020~2021 | 3RZ | K6RF-11 | | |
| GERUISHI | 2.0 | 2020~ | 1TZS | | | K6RTMIP |
| GERUISHI | 2.4 | 2020~ | 2TZS | K6RTM2 | | K6RTMIP |
| GERUISHI | 2.0 | 2019~2020 | V19 | F6RTC | F6RTP | |
| GERUISHI | 2.2 | 2017~2019 | JM491Q-ME | F6RTC | | |
| GERUISHI | 2.2 | 2017~2019 | V22 | F6RTC-11 | | |
| GERUISHI | 2.0 | 2016~2017 | V20 | F6RTC | F6RTP | |
| GERUISHI | 2.4 | 2016~2016 | 4RB2 | K7RTC | | |
| GERUISHI | 2.4 | 2015~2016 | 4RB1 | K7RTC | K7RTPP | |
| GERUISHI | 2.4 | 2013~2014 | 4G64S4M | K6RF-11 | | |
| HAISHI | 2.4 | 2020~2022 | 4RB2 | K7RTC | | |
| HAISHI | 2.0 | 2020~2022 | V19 | F6RTC | F6RTP | |
| HAISHI | 2.2 | 2020~2021 | JM491Q-ME | F6RTC | | |
| HAISHI | 2.0 | 2020~ | 1TZS | | | K6RTMIP |
| HAISHI | 2.0 | 2019~2021 | 4G20D4 | K6RF-11 | | K6RIU |
| HAISHI | 2.2 | 2019~2021 | 4G22D4 | K7RF-11 | | K7RTI |
| HAISHI | 2.0 | 2019~2021 | V20 | F6RTC | F6RTP | |
| HAISHI | 2.2 | 2018~2020 | 4G22D4B | K6RTC-11 | | |
| HAISHI | 2.0 | 2018~2019 | 4G20C | F6RTC | F6RTP | |
| HAISHI | 2.0 | 2018~2018 | 4G20B | F6RTC | F6RTP | |
| HAISHI | 2.0 | 2018~ | 4G19 | F6RTC-11 | | K7RTI |
| HAISHI | 2.0 | 2017~2021 | 4G21B | K7RF-11 | | K7RTI |
| HAISHI | 2.2 | 2017~2018 | V22 | F6RTC-11 | | |
| HAISHI | 2.0 | 2017~2018 | XC4G19 | F6RTC | F6RTP | |

Brilliance Jinbei



| Model | Engine CC | Year | Type engine | Type | | |
|--------------------|-----------|-----------|-------------|-----------|----------|---------|
| | | | | EFFECTIVE | PLATINUM | IRIDIUM |
| HAISHI | 2.2 | 2014~2018 | XG491Q-ME | F6RTC | F6RTP | |
| HAISHI | 2.0 | 2014~2016 | 4G20D4B | K7RF-11 | | K7RTI |
| HAISHI | 2.2 | 2014~2015 | 491Q-ME | F6RTC | F6RTP | |
| HAISHI | 2.4 | 2013~2015 | 2RZ | F6RTC | F6RTP | |
| HAISHI | 2.0 | 2012~2014 | 4G20D4C | K7RF-11 | | K7RTI |
| HAISHI KUAİYUN | 2.2 | 2016~ | V22 | F6RTC-11 | | |
| HAISHI KUAİYUN | 2.0 | 2014~2016 | V19 | F6RTC | F6RTP | |
| HAISHI LINGHANGZHE | 2.4 | 2014~2016 | XC4G24 | K7RTC0 | | K7RTI |
| HAISHI LINGHANGZHE | 2.4 | 2013~2014 | 2RZ | F6RTC | F6RTP | |
| HAISHI S | 1.5 | 2022~ | SWC15M | B7RTC | | OE213 |
| HAISHI S | 1.6 | 2022~ | SWD16M | K6RTM3 | | |
| HAISHI S | 1.5 | 2018~ | DLCG14 | B7RTC | | OE213 |
| HAISHI S | 1.6 | 2018~ | DLCG16 | B7RTC | | OE213 |
| HAISHI X30L | 1.5 | 2022~ | SWC15M | B7RTC | | OE213 |
| HAISHI X30L | 1.3 | 2018~ | DLCG12 | B7RTC | | |
| HAISHI X30L | 1.5 | 2018~ | DLCG14 | B7RTC | | OE213 |
| HAISHI X30L | 1.4 | 2013~2014 | SWC14M | B7RTC | | OE213 |
| HAISHI YOUYUEZHE | 2.4 | 2015~2015 | 4G64S4M | K6RF-11 | | |
| HAISHI YOUYUEZHE | 2.4 | 2014~2015 | 4G64 | K7RF-11 | | K7RTI |
| HAIXING | 1.0 | 2019~2020 | XC4F18-T | B7RTC | | |
| HAIXING | 1.3 | 2016~2021 | DLCG12 | B7RTC | | |
| HAIXING | 1.0 | 2016~2018 | LJ465Q3E2 | F6RTC | F6RTP | |
| HAIXING A7 | 1.0 | 2020~2022 | DL465Q5 | F6RTC | F6RTP | |
| HAIXING A7 | 1.0 | 2019~2020 | DL465Q3 | F6RTC | F6RTP | |
| HAIXING A9 | 1.0 | 2019~2021 | DL465Q5 | F6RTC | F6RTP | |
| HAIXING A9 | 1.0 | 2018~2021 | XC4F18-F | F6RTC | F6RTP | |
| HAIXING T20 | 1.0 | 2018~2021 | DL465Q5 | DK7RTC | | DK7RIU |
| HAIXING T20 | 1.3 | 2012~2017 | DLCG12 | B7RTC | | |
| JINBEI BUS | 2.0 | 2012~2015 | V20 | F6RTC | F6RTP | |
| JINBEIXIAOKA | 2.2 | 2013~2015 | JM491Q-ME | F6RTC | | |
| JINDIAN | 2.2 | 2019~ | V22 | F6RTC-11 | | |
| JINDIAN 009 | 2.2 | 2017~2019 | JM491Q-ME | F6RTC | | |
| KUAİYUN | 2.2 | 2021~2022 | V22 | F6RTC-11 | | |
| KUAİYUN | 2.0 | 2021~2021 | V19 | F6RTC | F6RTP | |
| KUAİYUN | 2.0 | 2020~ | 1TZS | | | K6RTMIP |
| LINGQI | 2.2 | 2015~2017 | JM491Q-ME | F6RTC | | |
| RUICHI | 2.0 | 2017~2019 | 4G20D4 | K6RF-11 | | |
| RUICHI | 2.2 | 2015~2017 | XG491Q-ME | F6RTC | F6RTP | |
| RUICHI | 2.2 | 2014~2016 | JM491Q-ME | F6RTC | | |
| RUIXIANG | 2.0 | 2019~2020 | 1TR | K6RTM3 | | KL6RTIP |
| T20S | 1.5 | 2020~ | SWC15M | B7RTC | | |
| T22S | 1.5 | 2020~ | SWC15M | B7RTC | | |
| T30 | 1.5 | 2022~ | SWC15M | B7RTC | | |
| T32 | 1.5 | 2022~ | SWC15M | B7RTC | | OE213 |
| T50 | 1.6 | 2022~ | SWD16M | K6RTM3 | | |
| T50 | 1.5 | 2020~ | SWC15M | B7RTC | | OE213 |
| T50S | 1.6 | 2021~ | SWD16M | K6RTM3 | | |
| T52 | 1.6 | 2022~ | SWD16M | K6RTM3 | | |
| T52 | 1.5 | 2020~ | SWC15M | B7RTC | | OE213 |
| T52 | 1.5 | 2012~2014 | DLCG14 | B7RTC | | OE213 |
| T52 | 1.6 | 2012~2014 | DLCG16 | | | |
| T52S | 1.6 | 2021~ | SWD16M | K6RTM3 | | |
| TRUCK | 2.2 | 2014~2018 | JM491Q-ME | F6RTC | | |
| TRUCK | 1.5 | 2014~2017 | SWC15M | | | OE213 |
| XIAOHAISHI X30 | 1.5 | 2022~ | SWC15M | B7RTC | | OE213 |
| XIAOHAISHI X30 | 1.4 | 2015~2017 | SWC14M | B7RTC | | OE213 |
| XIAOHAISHI X30 | 1.3 | 2014~2016 | DLCG12 | B7RTC | | |
| XIAOHAISHI X30 | 1.5 | 2014~2016 | DLCG14 | B7RTC | | OE213 |
| XIBUNIUZAI | 1.0 | 2017~2019 | XC4F18-T | | | OE213 |
| YULING | 2.7 | 2021~2022 | 2TR | K6RTM3 | | KL6RTIP |

Brilliance
Jinbei

Chinese Car

| Model | Engine CC | Year | Type engine | Type | | |
|--------------|-----------|-----------|--------------|-----------|----------|----------|
| | | | | EFFECTIVE | PLATINUM | IRIDIUM |
| YULING | 2.7 | 2021~2022 | 3RZ | K6RF-11 | | |
| ZHILING | 2.0 | 2021~2022 | 4G20D4L | K6RUY-11 | | |
| ZHILING | 2.0 | 2021~2022 | V20 | F6RTC | F6RTP | |
| ZHISHANG S30 | 1.5 | 2016~2019 | 4A15 | DK7RTC | | DK7RTI |
| ZHISHANG S30 | 1.3 | 2014~2018 | 4A13 | DK7RTC | | DK7RTI |
| ZHISHANG S35 | 1.5 | 2019~2022 | 4A15 | DK7RTC | | DK7RTI |
| ZUNLING | 2.4 | 2021~2022 | 4RB2 | K7RTC | | |
| H5 | 1.5T | 2022~ | CA4GB15TD-30 | | | TORCH13 |
| HS5 | 2.0T | 2021~ | CA4GC20TD-32 | | | TORCH14 |
| H5 | 1.8T | 2018~2019 | CA4GC18TD-01 | | | TORCH7 |
| H7 | 1.8T | 2018~2019 | CA4GC18T-01 | | | TORCH7 |
| H7 | 2.0T | 2018~2019 | CA4GC20T | | | TORCH7 |
| H7 | 3.0 | 2018~2019 | CA6GV1 | | | QH6RTI |
| BAOFENG GT | 1.3 | 2014~2017 | MR479Q | K6RTC | | |
| BINRUI | 1.4T | 2010~2012 | JLB-4G14T | | | TORCH29 |
| BINRUI | 1.4T | 2013~2016 | JLB-4G14TB | | | TORCH29 |
| BINYUE | 1.4T | 2016~2017 | JLB-4G14TB | | | TORCH29 |
| BINYUE | 1.5T | 2016~2017 | JLH-3G15TD | | | TORCH23 |
| BORUI | 2.4 | 2017~2019 | JLD-4G24 | K6RTC | | |
| BORUI | 1.8T | 2021~ | JLE-4G18TDC | | | OE202 |
| BORUI GE | 1.8T | 2015~2017 | JLE-4G18TDC | | | OE202 |
| BOYUE | 2.0 | 2013~2017 | JLD-4G20 | K6RTC | | |
| BOYUE | 1.8T | 2014~ | JLE-4G18TD | | | OE202 |
| BOYUE | 1.8T | 2015~2017 | JLE-4G18TDB | | | OE202 |
| BOYUE | 1.8T | 2021~ | JLE-4G18TDC | | | OE202 |
| BOYUE X | 1.8T | 2021~ | JLE-4G18TDC | | | OE202 |
| DIHAO S | 1.4T | 2021~2022 | JLB-4G14TB | | | TORCH29 |
| EC7 | 1.5 | 2012~2013 | JL4G15D | K6RTC | | |
| EC7 | 1.8 | 2012~2017 | JLy-4G18 | | | OE201 |
| EC7 | 1.8 | 2012~2014 | JL4G18 | K6RTC | | K6RIU |
| EC7 | 1.8 | 2015~2015 | JLc-4G18 | | | OE201 |
| EC7 | 1.5 | 2012~2015 | JLy-4G15 | | | OE201 |
| EC8 | 2.0 | 2011~2012 | 4G63S4N | KL6RTC | | KL6RTI-8 |
| EC8 | 2.4 | 2011~2012 | 4G69S4M | K6RTC | | |
| EC8 | 1.8 | 2012~2013 | JLD-4G18 | K6RTC | | |
| EC8 | 2.4 | 2012~2015 | JLD-4G24 | K6RTC | | |
| EC8 | 2.0 | 2019~2022 | JLD-4G20 | K6RTC | | |
| GC7 | 1.5 | 2010~2011 | JL4G15D | K6RTC | | |
| GC7 | 1.8 | 2011~2013 | JL4G18 | K6RTC | | K6RIU |
| GC7 | 1.8 | 2013~2019 | JLC-4G18 | | | OE201 |
| GC7 | 1.5 | 2011~2013 | JLy-4G15 | | | OE201 |
| GC7 | 1.8 | 2013~2019 | JLy-4G18 | | | OE201 |
| GX2 | 1.3 | 2013~2014 | MR479Q | K6RTC | | |
| GX2 | 1.5 | 2014~2017 | MR479QA | K6RTC | | |
| GX2 | 1.3 | 2012~2013 | MR479QB | K6RTC | | |
| GX2 | 1.5 | 2013~2014 | MR479QN | K6RTC | | |
| GX7 | 1.8 | 2017~2018 | JL4G18 | K6RTC | | K6RIU |
| GX7 | 1.8 | 2017~2018 | JLC-4G18 | | | OE201 |
| GX7 | 2.0 | 2017~2019 | JLD-4G20 | K6RTC | | |
| GX7 | 2.4 | 2017~2019 | JLD-4G24 | K6RTC | | |
| HAOQING | 1.3 | 2021~2022 | 8A | K6RTC | | |
| HAOQING | 1.0 | 2018~2020 | JL376QE | F6RTC | F6RTP | |
| HAOQING | 1.0 | 2019~2020 | JL378QE | F6RTC | F6RTP | |
| HAOQING | 1.3 | 2021~2022 | MR479Q | K6RTC | | |
| HAOQING SRV | 1.0 | 2009~2015 | JL376QE | F6RTC | F6RTP | |
| HAOQING SRV | 1.0 | 2016~2018 | JL378QE | F6RTC | F6RTP | |
| HAOQING SRV | 1.3 | 2018~2020 | MR479Q | K6RTC | | |
| HAOQING SRV | 1.5 | 2019~2020 | MR479QA | K6RTC | | |
| HAOQING SUV | 2.4 | 2020~2021 | JLD-4G24 | K6RTC | | |
| HAOYUE | 1.8T | 2012~ | JLE-4G18TDC | | | OE202 |

GEELY

Chinese Car



| Model | Engine CC | Year | Type engine | EFFECTIVE | PLATINUM | IRIDIUM |
|----------------------|-----------|-----------|-------------|-----------|----------|----------|
| icon | 1.5T | 2019~2022 | JLH-3G15TD | | | TORCH23 |
| JIAJI | 1.8T | 2019~2020 | JLE-4G18TDC | | | OE202 |
| JIAJI | 1.5T | 2018~2018 | JLH-3G15TD | | | TORCH23 |
| JINGANG | 1.8 | 2010~2012 | JL481Q | K6RTC | | |
| JINGANG | 1.5 | 2013~2014 | JL4G15-F | K6RTC | | |
| JINGANG | 1.5 | 2019~2019 | MR479QA | K6RTC | | |
| JINGANG | 1.5 | 2017~2018 | JLB-4G15 | LDK7RTC | | LDK7RAIU |
| JINGANG | 1.5 | 2019~2019 | MR479QN | K6RTC | | |
| JINGANG CAIFU | 1.5 | 2016~2018 | MR479QN | K6RTC | | |
| JINGANG-hatchback | 1.5 | 2017~2018 | JLB-4G15 | LDK7RTC | | LDK7RAIU |
| JINYING | 1.5 | 2019~2019 | MR479QA | K6RTC | | |
| JINYING Cross | 1.5 | 2015~2018 | MR479QN | K6RTC | | |
| LILIANG | 1.8 | 2016~2018 | JL481Q | K6RTC | | |
| LYNK & CO 02 | 2.0T | 2014~2014 | B4204T30 | | | TORCH24 |
| LYNK & CO 02 | 1.5T | 2021~ | JLH-3G15TD | | | TORCH23 |
| LYNK & CO 02 | 1.5T | 2011~2015 | JLH-3G15TDC | | | TORCH23 |
| LYNK & CO 02 | 2.0T | 2021~ | JLH-4G20TD | | | TORCH24 |
| LYNK & CO 03 | 2.0T | 2018~2021 | B4204T30 | | | TORCH24 |
| LYNK & CO 03 | 1.5T | 2019~2022 | GB15T2 | | | TORCH23 |
| LYNK & CO 03 | 1.5T | 2018~2020 | JLH-3G15TD | | | TORCH23 |
| LYNK & CO 03 | 1.5T | 2019~2021 | JLH-3G15TDC | | | TORCH23 |
| LYNK & CO 03 | 2.0T | 2011~2015 | JLH-4G20TD | | | TORCH24 |
| LYNK & CO 05 | 2.0T | 2011~2015 | JLH-4G20TD | | | TORCH24 |
| LYNK & CO 05 | 2.0T | 2018~2021 | JLH-4G20TDB | | | LD8RLII |
| LYNK & CO 06 | 1.5T | 2020~2021 | JLH-3G15TD | | | TORCH23 |
| MEIRI | 1.3 | 2016~2017 | 8A | K6RTC | | |
| MEIRI | 1.3 | 2018~2019 | MR479Q | K6RTC | | |
| MEIRI STAR | 1.3 | 2021~2021 | 8A | K6RTC | | |
| MEIRI STAR | 1.0 | 2020~2021 | JL376QE | F6RTC | F6RTP | |
| MEIRI STAR | 1.0 | 2021~2022 | JL378QE | K6RF-11 | | |
| MEIRI STAR | 1.3 | 2010~2014 | MR479Q | K6RTC | | |
| MEIRI STAR | 1.5 | 2014~2016 | MR479QA | K6RTC | | |
| MEIRIZIFENG | 1.3 | 2019~2020 | MR479Q | K6RTC | | |
| MYBO | 1.3 | 2019~2020 | 8A | K6RTC | | |
| MYBO | 1.3 | 2020~2021 | MR479Q | K6RTC | | |
| MYBO | 1.5 | 2021~2022 | MR479QA | K6RTC | | |
| NEW JINGANG | 1.5 | 2018~2019 | MR479QA | K6RTC | | |
| NEW JINGANG | 1.5 | 2022~2022 | JLB-4G15 | LDK7RTC | | LDK7RAIU |
| PANDA | 1.0 | 2012~2016 | JL3G10A | K6RTM3 | | KL6RTIP |
| PANDA | 1.3 | 2017~2018 | MR479Q | K6RTC | | |
| PANDA | 1.5 | 2017~2020 | MR479QA | K6RTC | | |
| PANDA | 1.3 | 2018~2020 | MR479QB | K6RTC | | |
| S7 | 1.8 | 2015~2016 | JLc-4G18 | | | OE201 |
| SC3 | 1.3 | 2012~2016 | MR479Q | K6RTC | | |
| SC3 | 1.3 | 2016~2016 | MR479QB | K6RTC | | |
| SC5-RV | 1.5 | 2019~2021 | MR479QA | K6RTC | | |
| SC6 | 1.5 | 2015~2018 | MR479QN | K6RTC | | |
| SX7 | 1.8 | 2021~2022 | JL4G18 | K6RTC | | K6RIU |
| SX7 | 1.8 | 2008~2015 | JLC-4G18 | | | OE201 |
| SX7 | 2.0 | 2012~2016 | JLD-4G20 | K6RTC | | |
| SX7 | 2.4 | 2015~2018 | JLD-4G24 | K6RTC | | |
| XINGRUI | 2.0T | 2022~ | JLH-4G20TD | | | TORCH24 |
| XINGYUE | 1.5T | 2012~2014 | JLH-3G15TD | | | TORCH23 |
| XINGYUE | 2.0T | 2014~2017 | JLH-4G20TDB | | | LD8RLII |
| XINGYUE S | 2.0T | 2021~ | JLH-4G20TD | | | TORCH24 |
| XINGYUE S | 2.0T | 2021~ | JLH-4G20TDB | | | LD8RLII |
| YINGLUN C5-hatchback | 1.5 | 2013~2016 | JLB-4G15 | LDK7RTC | | LDK7RAIU |
| YINGLUN C5-notchback | 1.5 | 2016~2019 | JLB-4G15 | LDK7RTC | | LDK7RAIU |
| Youliou | 1.3 | 2018~2018 | 8A | K6RTC | | |
| Youliou | 1.0 | 2018~2020 | JL376QE | F6RTC | F6RTP | |



| Model | Engine CC | Year | Type engine | EFFECTIVE | PLATINUM | IRIDIUM |
|------------------|-----------|-----------|-------------|-----------|----------|----------|
| Youliou | 1.0 | 2021~2022 | JL378QE | F6RTC | F6RTP | |
| Youliou | 1.3 | 2013~2016 | MR479Q | K6RTC | | |
| Youliou | 1.5 | 2015~2016 | MR479QA | K6RTC | | |
| YUANCHENG FX | 1.8T | 2020~ | JLE-4G18TDC | | | OE202 |
| YUANJING | 1.3T | 2016~2019 | JLB-4G13T | | | TORCH29 |
| YUANJING | 1.8 | 2019~2020 | JLy-4G18 | | | OE201 |
| YUANJING | 1.5 | 2019~2020 | JL4G15D | K6RTC | | |
| YUANJING | 1.8 | 2017~2018 | JL4G18 | K6RTC | | K6RIU |
| YUANJING | 1.8 | 2015~2016 | JLC-4G18 | | | OE201 |
| YUANJING | 1.5 | 2017~2018 | JLy-4G15 | | | OE201 |
| YUANJING S1 | 1.4T | 2016~2019 | JLB-4G14T | | | TORCH29 |
| YUANJING S1 | 1.4T | 2016~2018 | JLB-4G14TB | | | TORCH29 |
| YUANJING S1 | 1.5 | 2021~2022 | JLy-4G15 | | | OE201 |
| YUANJING SUV(X6) | 1.3T | 2022~2022 | JLB-4G13T | | | TORCH29 |
| YUANJING SUV(X6) | 1.4T | 2012~2014 | JLB-4G14T | | | TORCH29 |
| YUANJING SUV(X6) | 1.4T | 2019~2020 | JLB-4G14TB | | | TORCH29 |
| YUANJING SUV(X6) | 1.8 | 2020~2021 | JLC-4G18 | | | OE201 |
| YUANJING X1 | 1.3 | 2016~2019 | 4A13 | DK7RTC | | DK7RTI |
| YUANJING X1 | 1.0 | 2018~2018 | JL3G10A | KL6RTC | | |
| YUANJING X3 | 1.5 | 2018~2020 | JLB-4G15 | LDK7RTC | | LDK7RAIU |
| YUANJING X3 | 1.5 | 2016~2019 | JLy-4G15 | | | OE201 |
| YUANJING X3 PRC | 1.5 | 2016~2019 | JLy-4G15 | | | OE201 |
| YUANJING X6 Pro | 1.4T | 2021~ | JLB-4G14TB | | | TORCH29 |
| Zhongguolong | 1.3 | 2016~2019 | MR479Q | K6RTC | | |
| Zhongguolong | 1.8 | 2018~2018 | JL481Q | K6RTC | | |
| Zhongguolong | 1.5 | 2018~2018 | MR479QA | K6RTC | | |
| Ziyoujian | 1.5 | 2020~2022 | MR479QA | K6RTC | | |
| Ziyoujian | 1.3 | 2019~2021 | MR479QB | K6RTC | | |
| Ziyoujian | 1.6 | 2020~2022 | MR481QA | K7RF-11 | | K7RTI |
| Ziyoujian | 1.0 | 2021~2022 | JL3G10A | K6RTM3 | | KL6RTIP |
| Ziyoujian | 1.5 | 2013~2015 | MR479QN | K6RTC | | |
| BINGYUE | 2.0 | 2014~2016 | 4G63S4N | KL6RTC | | KL6RTI-8 |
| BINGYUE | 2.4 | 2014~2017 | HFC4GA1.2B | | | 9011 |
| BINGYUE | 2.4 | 2011~2016 | HFC4GA1.2C | | | 9011 |
| BINGYUE | 2.4 | 2011~2016 | HFC4GA1.B | | | 9011 |
| BINGYUE | 2.0 | 2016~2018 | HFC4GA3.2B | | | 9011 |
| BINGYUE | 2.0 | 2018~2020 | HFC4GA3.B | | | 9011 |
| BINGYUE | 2.0 | 2011~2011 | HFC4GA3.C | | | 9011 |
| BINGYUE | 1.8 | 2009~2012 | HFC4GA4.C | | | 9011 |
| BINGYUE | 1.8 | 2010~2012 | HFC4GA5.C | | | 9011 |
| HEYUE | 1.5 | 2010~2010 | 4G15S | K6RTC | | K6RIU |
| HEYUE | 1.8 | 2010~2012 | 4G93D | K7RF-11 | | K7RTI |
| HEYUE | 1.5 | 2013~2015 | HFC4GB2.3C | K6RTM3 | | KL6RTI |
| HEYUE | 1.8 | 2013~2014 | 4G93D | K7RF-11 | | K7RTI |
| HEYUE | 1.5 | 2017~2020 | HFC4GB2.3C | K6RTM3 | | |
| HEYUE | 1.5 | 2010~2012 | HFC4GB2.3D | KL6RTC | | KL6RTI |
| HEYUE A30 | 1.5 | 2012~2014 | HFC4GB2.3D | KL6RTC | | KL6RTI |
| HEYUE RS | 1.8 | 2013~2015 | 4G93D | K7RF-11 | | K7RTI |
| HEYUE RS | 1.8 | 2017~2020 | HFC4GA4.C | | | 9011 |
| HEYUE RS | 1.8 | 2018~2020 | HFC4GA5.C | | | 9011 |
| HEYUE RS | 1.5 | 2019~2020 | HFC4GB2.3C | K6RTM3 | | KL6RTI |
| HUNTER | 2.4T | 2021~ | 4K22D4T | | | LDK8RTIP |
| JIAYUE A5 | 1.5T | 2019~2019 | HFC4GB2.4E | | KL7RTPP | |
| JIAYUE X4 | 1.5T | 2019~2020 | HFC4GB2.4E | | KL7RTPP | |
| KAIDA X6 | 1.5T | 2021~ | HFC4GB2-4E | | | TORCH9 |
| KANGLING | 1.2 | 2020~2021 | LJ469Q-1AEB | DK7RTC | | DK7RTI |
| KANGLING X1 | 1.2 | 2020~2021 | LJ469Q-1AEB | DK7RTC | | DK7RTI |
| KANGLING X5 | 1.2 | 2018~2020 | LJ469Q-1AEB | DK7RTC | | DK7RTI |
| KANGLING X5 | 1.2 | 2018~2020 | LJ469Q-1AEB | DK7RTC | | DK7RTI |
| Refine | 2.2 | 2019~2021 | 491QE | F6RTC | F6RTP | |



| Model | Engine CC | Year | Type engine | Type | | |
|---------------|-----------|-----------|-------------|-----------|----------|----------|
| | | | | EFFECTIVE | PLATINUM | IRIDIUM |
| Refine | 2.4 | 2021~2021 | G4JS | | | 9011 |
| Refine | 2.4 | 2012~2013 | HFC4GA1 | | | 9011 |
| Refine | 2.0 | 2013~2016 | HFC4GA3 | F6RTC | F6RTP | |
| Refine | 2.0T | 2017~2020 | HFC4GA3-1B | | | 9011 |
| Refine | 2.0 | 2015~2017 | HFC4GA3-B | | | 9011 |
| Refine | 2.0 | 2010~2011 | HFC4GA3-C | | | 9011 |
| Refine I | 2.4 | 2012~2015 | G4JS | | | 9011 |
| Refine I | 2.4 | 2015~2017 | HFC4GA1-2B | | | 9011 |
| Refine I | 2.4 | 2017~2018 | HFC4GA1-B | | | 9011 |
| Refine I | 2.0 | 2017~2019 | HFC4GA3-B | | | 9011 |
| Refine II | 2.4 | 2017~2018 | G4JS | | | 9011 |
| Refine II | 2.4 | 2018~2020 | HFC4GA1 | | | 9011 |
| Refine M3 | 1.5T | 2020~ | HFC4GB2-4E | | | TORCH9 |
| Refine M3 | 1.6 | 2008~2013 | HFC4GB3-3D | KL6RTC | | KL6RTIP |
| Refine M3 | 1.8 | 2019~ | LJ4A18Q6 | K6RTC | | |
| Refine M4 | 2.0 | 2014~2016 | HFC4GA3-3D | | | 9011 |
| Refine M4 | 2.0T | 2018~2020 | HFC4GA3-4D | | | TORCH9 |
| Refine M4 | 1.5T | 2019~2020 | HFC4GC1-6D | | | TORCH11 |
| Refine M4 48V | 1.5T | 2017~2020 | HFC4GC1-6D | | | TORCH11 |
| Refine M5 | 2.0T | 2020~2021 | HFC4GA3-1D | | | 9011 |
| Refine M6 | 2.0T | 2014~2015 | HFC4GA3.4D | | | TORCH9 |
| Refine R3 | 1.5T | 2015~2016 | HFC4GB2.4D | | KL7RTPP | |
| Refine R3 | 1.6 | 2016~2017 | HFC4GB3.3D | KL6RTC | | KL6RTI |
| Refine S2 | 1.5 | 2017~2018 | HFC4GB2.3D | KL6RTC | | KL6RTI |
| Refine S2 | 1.6 | 2008~2012 | HFC4GB3.3D | KL6RTC | | KL6RTI |
| Refine S2mini | 1.3 | 2010~2013 | HFC4GB1.3D | K6RTM3 | | |
| Refine S3 | 1.6 | 2014~2015 | HFC4GB3.3D | KL6RTC | | KL6RTI |
| Refine S4 | 1.5T | 2016~2017 | HFC4GB2.4D | | KL7RTPP | |
| Refine S4 | 1.5T | 2014~2015 | HFC4GB2.4E | | KL7RTPP | |
| Refine S5 | 2.0 | 2017~2018 | HFC4GA3.C | | | 9011 |
| Refine S5 | 1.8T | 2018~2020 | HFC4GA5.1D | F6RTC | F6RTP | |
| Refine S5 | 1.5T | 2017~2018 | HFC4GC1.6D | | | TORCH11 |
| Refine S5 | 2.0T | 2018~2020 | HFC4GA3.1D | | | 9011 |
| Refine S5 | 2.0 | 2019~2020 | HFC4GA3.3D | | | 9011 |
| Refine S5 | 1.5T | 2013~2014 | HFC4GC1.6D | | | TORCH11 |
| Refine S7 | 2.0T | 2012~2014 | HFC4GA3.4D | | | TORCH9 |
| Refine S7 | 1.5T | 2014~2015 | HFC4GC1.6D | | | TORCH11 |
| REIN | 2.4 | 2017~2019 | HFC4GA1.B | | | 9011 |
| REIN | 2.4 | 2012~2014 | HFC4GA1.C | | | 9011 |
| REIN | 2.4 | 2016~2017 | HFC4GA1-1 | | | 9011 |
| REIN | 2.0T | 2017~2018 | HFC4GA3.1C | | | 9011 |
| REIN | 2.0 | 2021~2022 | HFC4GA3.B | | | 9011 |
| REIN | 2.0 | 2021~2022 | HFC4GA3.C | | | 9011 |
| REIN | 2.0 | 2018~2020 | HFC4GA3-1 | | | 9011 |
| REIN | 1.8T | 2012~2015 | HFC4GA5.1C | | | 9011 |
| RUICHI K3 | 2.2 | 2018~2020 | JM491Q-ME | F6RTC | | |
| RUICHI K5 | 2.2 | 2019~2020 | JM491Q-ME | F6RTC | | |
| RUILING V1 | 2.2 | 2008~2012 | 491QE | F6RTC | F6RTP | |
| RUILING V3 | 2.2 | 2008~2013 | 491QE | F6RTC | F6RTP | |
| RUILING V5 | 2.2 | 2016~2017 | 491QE | F6RTC | F6RTP | |
| SEHOLA5 | 1.5T | 2020~ | HFC4GB2.4E | | KL7RTPP | |
| SEHOLA X4 | 1.5T | 2021~ | HFC4GB2.4E | | KL7RTPP | |
| SHUAILING T6 | 2.4T | 2020~ | 4K22D4T | | | LDK8RTIP |
| SHUAILING T8 | 2.4T | 2020~ | 4K22D4T | | | LDK8RTIP |
| TONGYUE | 1.3 | 2009~2012 | 4G13S1 | K7RF-11 | | |
| TONGYUE | 1.3 | 2009~2010 | HFC4GB1.3C | K6RTM3 | | KL6RTIP |
| Truck | 2.2 | 2020~2021 | 491QE | F6RTC | F6RTP | |
| Truck | 1.5T | 2021~ | HFC4GB2-4E | | | TORCH9 |
| Truck | 2.2 | 2021~2022 | JM491Q-ME | F6RTC | | |
| Truck | 1.2 | 2015~2017 | LJ469Q-1AEB | DK7RTC | | DK7RTI |



| Model | Engine CC | Year | Type engine | Type | | |
|-----------------------|-----------|-----------|-------------|-----------|----------|---------|
| | | | | EFFECTIVE | PLATINUM | IRIDIUM |
| JAC V7 | 2.0 | 2018~ | HFC4GA3-3D | | | 9011 |
| JAC YUEYUE | 1.0 | 2017~2018 | DAK10A | | | DK7RIU |
| JAC YUEYUE | 1.3 | 2019~2019 | HFC4GB1.3C | K6RTM3 | | KL6RTIP |
| JAC YUEYUE | 1.0 | 2020~2021 | HFC3GB4.C | K6RTM3 | | KL6RTIP |
| JAC YUEYUE J2 | 1.0 | 2019~2019 | HFC3GB4.C | K6RTM3 | | KL6RTIP |
| LIFAN 320 | 1.3 | 2015~2017 | LF479Q3 | K7RTC | | K7RTI |
| LIFAN 320 | 1.3 | 2017~2018 | LF479Q3-B | K7RTC | | |
| LIFAN 330 | 1.3 | 2017~2018 | LF479Q3-B | K7RTC | | |
| LIFAN 520 | 1.3 | 2011~2012 | LF479Q3 | K7RTC | | K7RTI |
| LIFAN 520 | 1.3 | 2013~2014 | LF479Q3-1 | K7RTC | | K7RTI |
| LIFAN 520 | 1.3 | 2014~2015 | LF479Q3-B | K7RTC | | |
| LIFAN 520 | 1.3 | 2018~2019 | LF479Q4 | K7RTC | | K7RTI |
| LIFAN 520 | 1.6 | 2021~2022 | LF481Q1 | K7RTC | | |
| LIFAN 520 | 1.6 | 2020~2021 | LF481Q3 | K7RTC | | K7RTI |
| LIFAN 520 | 1.6 | 2013~2014 | TRITEC1.6L | K7RTC | | K7RTI |
| LIFAN 520i | 1.3 | 2013~2014 | LF479Q1 | K7RTC | | K7RTI |
| LIFAN 520i | 1.3 | 2017~2018 | LF479Q3 | K7RTC | | K7RTI |
| LIFAN 520i | 1.3 | 2018~2019 | LF479Q3-B | K7RTC | | |
| LIFAN 520i | 1.6 | 2015~2016 | LF481Q3 | K7RTC | | K7RTI |
| LIFAN 520i | 1.6 | 2021~2022 | TRITEC1.6L | K7RTC | | K7RTI |
| LIFAN 530 | 1.5 | 2022~2022 | LF479Q2-B | K7RTC | | K7RTI |
| LIFAN 530 | 1.3 | 2020~2021 | LF479Q3-B | K7RTC | | |
| LIFAN 620 | 1.5 | 2018~2019 | LF479Q2 | K7RTC | | K7RTI |
| LIFAN 720 | 1.5 | 2011~2012 | LF479Q2-C | K7RTC | | K7RTI |
| LIFAN 720 | 1.8 | 2019~2020 | LFB479Q | K6RTC | | |
| LIFAN 720 | 1.5 | 2020~2021 | LFB479Q2-C | K7RTC | | K7RTI |
| LIFAN 820 | 1.8 | 2019~2020 | LFB479Q | K6RTC | | |
| LIFAN FENGSHUN | 1.0 | 2020~2021 | LF465Q5A | F6RTC | F6RTP | |
| LIFAN FENGSHUN | 1.0 | 2012~2014 | LF466Q | DK7RTC | | DK7RIU |
| LIFAN FENGSHUN | 1.3 | 2014~2015 | LF479Q5 | K7RTC | | K7RTI |
| LIFAN FENGSHUN | 1.3 | 2015~2016 | LF479Q5-1 | K7RTC | | K7RTI |
| LIFAN FUSHUN | 1.0 | 2013~2015 | LF465Q5A | F6RTC | F6RTP | |
| LIFAN FUSHUN | 1.0 | 2015~2016 | LF466Q | DK7RTC | | DK7RIU |
| LIFAN LETU | 1.2 | 2013~2014 | LF470Q-2h | DK7RTC | | |
| LIFAN LETU S | 1.5 | 2014~2015 | LF475Q-h | DK7RTC | | DK7RIU |
| LIFAN MAIWEI | 1.5 | 2015~2016 | LF475Q-h | DK7RTC | | DK7RIU |
| LIFAN MAIWEI | 1.8 | 2015~2016 | LFB479Q-h | K6RTC | | K6RIU |
| LIFAN passenger coach | 2.2 | 2011~2014 | JM491Q-ME | F6RTC | | |
| LIFAN X50 | 1.5 | 2022~2022 | LF479Q2-B | K7RTC | | K7RTI |
| LIFAN X60 | 1.8 | 2019~2020 | LFB479Q | K6RTC | | |
| LIFAN XINGSHUN | 1.3 | 2015~2017 | LF479Q5 | K7RTC | | K7RTI |
| LIFAN XUANLANG | 2.0 | 2019~2020 | LF483Q | K6RTC | | K6RIU |
| LIFAN XUANLANG | 1.8 | 2020~2021 | LFB479Q | K6RTC | | |
| SAIC 350 | 1.5 | 2012~2013 | 15S4U | K6RTC | | K6RIU |
| SAIC 350C | 1.5 | 2016~2017 | 15S4U | K6RTC | | K6RIU |
| SAIC 350D | 1.5 | 2019~2022 | 15S4U | K6RTC | | K6RIU |
| SAIC 350S | 1.5 | 2019~2021 | 15S4U | K6RTC | | K6RIU |
| SAIC 350T | 1.5T | 2017~2018 | 15S4G | | | K7RHII |
| SAIC 360 | 1.4T | 2018~2019 | 14E4E | | | TORCH8 |
| SAIC 360 | 1.5 | 2020~2022 | 15S4C | K6RTC | | K6RIU |
| SAIC 550 | 1.8 | 2019~2022 | 18K4C | K7RTC | | K7RTI |
| SAIC 550 | 1.8T | 2020~2022 | 18K4G | | | K7RHII |
| SAIC 550 Plug-in | 1.5 | 2020~2022 | 15S4U | K6RTC | | K6RIU |
| SAIC 550S | 1.8 | 2011~2012 | 18K4C | K7RTC | | K7RTI |
| SAIC 550S | 1.8T | 2010~2011 | 18K4G | | | K7RHII |
| SAIC 750 | 1.8T | 2013~2013 | 18K4G | | | K7RHII |
| SAIC 750D | 1.8T | 2010~2011 | 18K4G | | | K7RHII |
| SAIC 750D | 2.5 | 2013~2015 | 25K4F | K7RTC | | K7RTI |
| SAIC 750E | 2.5 | 2015~2017 | 25K4F | K7RTC | | K7RTI |
| SAIC 750EX | 1.8T | 2018~2019 | 18K4G | | | K7RHII |



| Model | Engine CC | Year | Type engine | EFFECTIVE | PLATINUM | IRIDIUM |
|---------------|-----------|-----------|-------------|-----------|----------|---------|
| 750FL | 2.5 | 2012~2013 | 25K4F | K7RTC | | K7RTI |
| 750S | 1.8T | 2011~2013 | 18K4G | | | K7RHII |
| 950 | 1.8T | 2010~2012 | 18L4E | | | TORCH13 |
| 950 | 2.0T | 2012~2013 | 20L4E | | | TORCH5 |
| 950 | 2.4 | 2013~2016 | LAF | | | QH5RIU |
| 950 | 3.0 | 2015~2015 | LFV | | | QH6RIU |
| 950 | 2.0 | 2013~2015 | LTD | | | QH5RIU |
| e550 | 1.5 | 2012~2013 | 15S4U | K6RTC | | K6RIU |
| e950 | 1.4T | 2016~2017 | 14E4E | | | TORCH8 |
| ei6 MAX | 1.5T | 2020~ | 15E4E | | | TORCH8 |
| ei6 PLUS | 1.5T | 2019~ | 15E4E | | | TORCH8 |
| i5 | 1.5T | 2016~2017 | 15E4E | | | TORCH8 |
| i5 | 1.5 | 2016~2017 | 15S4C | K6RTC | | K6RIU |
| i5 GT | 1.5T | 2021~ | 15C4E | | | TORCH8 |
| i6 | 1.0T | 2011~2012 | 10E4E | | | TORCH8 |
| i6 | 1.5T | 2013~2015 | 15E4E | | | TORCH8 |
| i6 MAX | 1.5T | 2020~ | 15C4E | | | TORCH8 |
| iMAX8 | 2.0T | 2021~ | 20A4E | | | OE211 |
| MG | 1.5T | 2020~ | 15C4E | | | TORCH8 |
| MG | 2.0T | 2020~ | 20L4E | | | TORCH5 |
| MG eHS | 1.5T | 2019~2022 | 15E4E | | | TORCH8 |
| MG GS | 1.5T | 2015~2016 | 15E4E | | | TORCH8 |
| MG GS | 2.0T | 2015~2016 | 20L4E | | | TORCH5 |
| MG GS | 1.5T | 2016~2016 | LFV | | | TORCH8 |
| MG GT | 1.4T | 2016~2020 | 14E4E | | | TORCH8 |
| MG GT | 1.5 | 2016~2020 | 15S4C | K6RTC | | K6RIU |
| MG GT | 1.5T | 2014~2016 | 15S4G | | | K7RHII |
| MG GT | 1.4T | 2014~2016 | LE2 | | | TORCH8 |
| MG HS | 1.5T | 2019~2022 | 15C4E | | | TORCH8 |
| MG HS | 1.5T | 2018~2019 | 15E4E | | | TORCH8 |
| MG HS | 2.0T | 2018~2020 | 20L4E | | | TORCH5 |
| MG ONE | 1.5T | 2021~ | 15C4E | | | TORCH8 |
| MG PHEV | 1.5T | 2021~ | 15E4E | | | TORCH8 |
| MG ZS | 1.0T | 2017~2018 | 10E4E | | | TORCH8 |
| MG ZS | 1.5 | 2017~2018 | 15S4C | K6RTC | | K6RIU |
| MG ZS | 1.3T | 2019~2022 | LIY | | | OE206 |
| MG3 | 1.3 | 2011~2012 | 13S4F | K6RTC | | K6RIU |
| MG3 | 1.5 | 2010~2012 | 15S4U | K6RTC | | K6RIU |
| MG3 | 1.5 | 2015~2016 | 15S4C | K6RTC | | K6RIU |
| MG3 SW | 1.5 | 2015~2017 | 15S4C | K6RTC | | K6RIU |
| MG3 SW | 1.5 | 2015~2017 | 15S4U | | | K6RIU |
| MG3 Xross | 1.5 | 2010~2013 | 15S4U | K6RTC | | K6RIU |
| MG5 | 1.5T | 2013~2017 | 15S4G | | | K7RHII |
| MG5 | 1.5 | 2012~2017 | 15S4U | K6RTC | | K6RIU |
| MG5 | 1.5T | 2020~2022 | 15C4E | | | TORCH8 |
| MG5 | 1.5 | 2020~2022 | 15S4C | K6RTC | | K6RIU |
| MG5 | 1.5T | 2022~ | 15C4E | | | TORCH8 |
| MG6 | 1.8 | 2010~2011 | 18K4C | K7RTC | | K7RTI |
| MG6 | 1.8T | 2011~2012 | 18K4G | | | K7RHII |
| MG6 | 1.5T | 2017~2019 | 15E4E | | | TORCH8 |
| MG6 | 1.5T | 2020~2021 | 15C4E | | | TORCH8 |
| MG6 Fast-Back | 1.8 | 2012~2013 | 18K4C | K7RTC | | K7RTI |
| MG6 Fast-Back | 1.8T | 2012~2013 | 18K4G | | | K7RHII |
| MG6 Magnette | 1.8 | 2012~2015 | 18K4C | K7RTC | | K7RTI |
| MG6 Magnette | 1.8T | 2012~2014 | 18K4G | | | K7RHII |
| MG6 PHEV | 1.0T | 2018~2019 | 10E4E | | | TORCH8 |
| MG6 PHEV | 1.5T | 2019~2020 | 15E4E | | | TORCH8 |
| MG6 Pro | 1.5T | 2021~ | 15C4E | | | TORCH8 |
| MG6 Saloon | 1.8 | 2010~2012 | 18K4C | K7RTC | | K7RTI |
| MG6 Saloon | 1.8T | 2011~2015 | 18K4G | | | K7RHII |

Chinese Car



| Model | Engine CC | Year | Type engine | EFFECTIVE | PLATINUM | IRIDIUM |
|-----------|-----------|-----------|-------------|-----------|----------|----------|
| MG7 | 1.8T | 2010~2014 | 18K4G | | | K7RHII |
| MG7 | 2.5 | 2010~2014 | 25V6S4 | K7RTC | | K7RTI |
| RX5 | 1.5T | 2010~2013 | 15E4E | | | TORCH8 |
| RX5 | 2.0T | 2013~2015 | 20L4E | | | TORCH5 |
| RX5 | 1.5T | 2018~2019 | LFV | | | TORCH8 |
| RX5 | 1.5T | 2021~ | 15C4E | | | TORCH8 |
| RX5 eMAX | 1.5T | 2021~ | 15E4E | | | TORCH8 |
| RX5 ePLUS | 1.5T | 2021~ | 15E4E | | | TORCH8 |
| RX5 MAX | 1.5T | 2021~ | 15C4E | | | TORCH8 |
| RX5 MAX | 2.0T | 2021~ | 20L4E | | | TORCH5 |
| RX5 PLUS | 1.5T | 2021~ | 15C4E | | | TORCH8 |
| RX8 | 2.0T | 2019~ | 20L4E | | | TORCH5 |
| W5 | 1.8T | 2015~2016 | 18K4G | | | K7RHII |
| 鯨 | 2.0T | 2022~ | 20L4E | | | TORCH5 |
| 727 | 1.5 | 2019~2019 | TNN4G15A | K6RTM3 | | KL6RTIP |
| G3 | 1.5 | 2019~2019 | 4A15 | DK7RTC | | DK7RTI |
| G3S | 1.5 | 2019~2019 | 4A91S | K6RTM3 | | KL6RTI-8 |
| 737 | 1.5 | 2017~2018 | 4A91S | K6RTM3 | | KL6RTI-8 |
| G3 | 1.5 | 2015~2018 | TNN4G15A | K6RTM3 | | KL6RTI-8 |
| G3 | 1.5 | 2013~2016 | 4A91S | K6RTM3 | | KL6RTI-8 |
| G5 | 1.5 | 2010~2012 | 4A91S | | | KL6RTI-8 |

Chinese Car



Correct Installation Status



Note: Spark plugs under correct installation torque, external gasket should be deformed to flat.

(Most of the spark plug failures are caused by the improper installation of the external gasket. It is necessary to use a special torque wrench with reading for installation.)

Incorrect Installation Status



Installation torque is too small!
Note: the external gasket is still convex, causing spark plug failure.

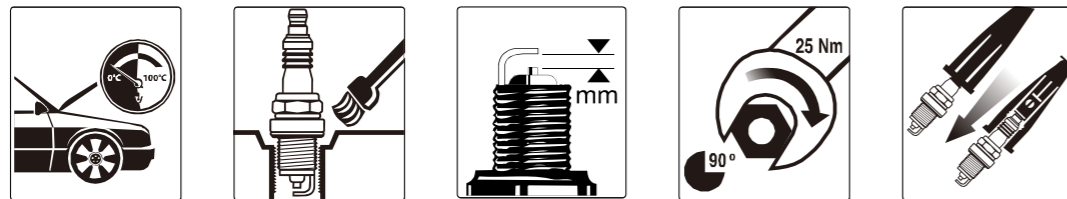


Installation torque is too big!
Note: Excessive deformation of the external gasket leads to the failure of the spark plug.

spark plug installation torque

| Spark Plug Type Flat Seat (with external gasket) Conical Seat (without external gasket) | (N.m) |
|---|---------|
| M10 Flat Seat Spark Plug | 10 ~ 15 |
| M12 Flat Seat Spark Plug | 20 ~ 25 |
| M12 Conical Seat Spark Plug | 10 ~ 15 |
| M14 Flat Seat Spark Plug | 25 ~ 30 |
| M14 Conical Seat Spark Plug | 10 ~ 15 |
| M18 Flat Seat Spark Plug | 35 ~ 40 |
| M18 Conical Seat Spark Plug | 20 ~ 25 |

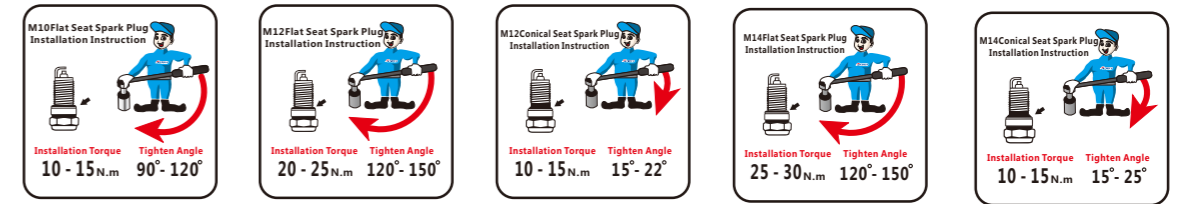
Remarks: On Diesel Engine Refitted engine or other cast iron engine, the installation torque takes the maximum value of the corresponding value $\pm 3N.m$



Attention the matching between the valid length of plug's thread and the length of the thread of the installation hole of cylinder cover

| The thread of plug is too long | Forget assembling gasket | Correct installation Using one gasket | One more sealing gasket is used | The thread of plug is too short |
|---|---|--|--|--|
| | | | | |
| Touch piston Dirt gathers around the stretched part of thread It is difficult to replace The side wire easily tend to be over-heat | Leakage of the combustion gas Lose power Poor conductive ability Over heating spark plug Pre-ignition | Normal ignition Without abnormality | Waste gas gathers around the ignition end and effect the ignition performance Dirt gathers around the lower part of the assembling hole | Waste gas heavily gathers around the ignition end and probably cause misfire. Dirt heavily gathers around the stretched part of thread. It is difficult to replace |

If there is no torque wrench available, please Install new plugs per the length of the thread of the installation hole of cylinder cover



Installing and prevention measures

| | Thread Damaged | Metal Shell Broken | Insulator Broken or Damaged | | | | | | | | | | | | | | | | | | | | | | | | |
|-----------------------|--|----------------------------------|--|--------|-------------|----------|--------|-------------|----------|--------|------------|----------|--------|-------------|----------|----------|-------------|----------|----------|-------------|--------|--------|-------------|----------|----------|------------|--------|
| Undesirability status | | | | | | | | | | | | | | | | | | | | | | | | | | | |
| Cause | Incline When Installing | Over - torque | Wrench Inclining. Sliding and its inner diameter too small | | | | | | | | | | | | | | | | | | | | | | | | |
| Prevention Measures | Use hand before use wrench when installing | Screw plug per designated torque | Ensure wrench and plug are coaxial and use wrench with following recommended inner diameter <table border="1"> <tr> <td>Hex=14</td> <td>M12x1.25-6e</td> <td>φ 13.5mm</td> </tr> <tr> <td>Hex=16</td> <td>M14x1.25-6e</td> <td>φ 15.5mm</td> </tr> <tr> <td>Hex=16</td> <td>M10x1.0-6g</td> <td>φ 15.5mm</td> </tr> <tr> <td>Hex=16</td> <td>M12x1.25-6e</td> <td>φ 15.5mm</td> </tr> <tr> <td>Hex=17.5</td> <td>M12x1.25-6e</td> <td>φ 15.5mm</td> </tr> <tr> <td>Hex=20.8</td> <td>M14x1.25-6e</td> <td>φ 19mm</td> </tr> <tr> <td>Hex=19</td> <td>M14x1.25-6e</td> <td>φ 18.5mm</td> </tr> <tr> <td>Hex=20.8</td> <td>M18x1.5-6e</td> <td>φ 19mm</td> </tr> </table> | Hex=14 | M12x1.25-6e | φ 13.5mm | Hex=16 | M14x1.25-6e | φ 15.5mm | Hex=16 | M10x1.0-6g | φ 15.5mm | Hex=16 | M12x1.25-6e | φ 15.5mm | Hex=17.5 | M12x1.25-6e | φ 15.5mm | Hex=20.8 | M14x1.25-6e | φ 19mm | Hex=19 | M14x1.25-6e | φ 18.5mm | Hex=20.8 | M18x1.5-6e | φ 19mm |
| Hex=14 | M12x1.25-6e | φ 13.5mm | | | | | | | | | | | | | | | | | | | | | | | | | |
| Hex=16 | M14x1.25-6e | φ 15.5mm | | | | | | | | | | | | | | | | | | | | | | | | | |
| Hex=16 | M10x1.0-6g | φ 15.5mm | | | | | | | | | | | | | | | | | | | | | | | | | |
| Hex=16 | M12x1.25-6e | φ 15.5mm | | | | | | | | | | | | | | | | | | | | | | | | | |
| Hex=17.5 | M12x1.25-6e | φ 15.5mm | | | | | | | | | | | | | | | | | | | | | | | | | |
| Hex=20.8 | M14x1.25-6e | φ 19mm | | | | | | | | | | | | | | | | | | | | | | | | | |
| Hex=19 | M14x1.25-6e | φ 18.5mm | | | | | | | | | | | | | | | | | | | | | | | | | |
| Hex=20.8 | M18x1.5-6e | φ 19mm | | | | | | | | | | | | | | | | | | | | | | | | | |



Normal Operations

The nose of insulator appears yellow-brown, brown or lightish gray, electrode.

erosion is light. It shows the spark plug is suitable for the engine.



Overheating

The insulator nose appears bleached white electrode melted.

Cause: pre-ignition, insufficient cooling, low octane gasoline and thin fuel mixture are used, spark plug extended into the combustion chamber is too long or a too hot spark plug is used , etc.

Action: Installing a colder type of spark plugs.



Carbon Fouling

Black carbon fouling deposited on the firing-end of the plug,when this become serious, it may cause misfiring.

Cause: Carbon fouling is usually the result of an overrich fuel mixture, misusing of chock, clogged air filter, too much oil consume, related ignition timing, long time low speed operation, the plug used is too cold.

Action: Inspect the output voltage of ignitin coil,unloaded output voltage exceeds 30kv, installing a hotter type of spark plugs.



Electrode Melted

Electrode melted, the end of center electrode and earth electrode appear melt.

Cause: The reason for causing this is as the same with overheating.

Action: Regarding to type of speak plug, Chang to installing a colder type of spark plug /or higher heat range of speak plug.



Lead Fouling

The color of insulator appears powder white, yellow, yellowish brown, green and black.

Cause: When an engine operates in low load speed, the 4 ethyl lead in gasoline deposit on the nose of insulator. While the engine accelerates, it operates in a high speed, heavy load condition, the temperature of spark plug increases further,then because of the increase in temperature, the conductivity of the lead compound formed on the insulator surface increases,therefore causing the misfiring of the spark plug.

Action: Avoid using lead gasoline, or change to use a hotter type of spark plugs.



Oil Fouling

Black wet shiny oil deposited on the firing-end of plug.

Cause: Worn piston ring, worn valve,or misadjustment of carburetor causing over-rich fuel mixture.

Action: The fundamental reason of oil fouling is not the incorrect choice of spark plug, but it can be solved temporarily by a hotter type of spark plug.



MMT fouling

Cause: Unleaded gasoline, the manganese additive as the replacement of 4 ethyl lead has been added to gasoline. MMT deposited on the firing-end and became dark brown material, MMT melt at 700-800 degree and conducts electricity and causing insulation resistance drops and misfire. When misfiring happens on high speed and heavy loaded vehicle, the vehicle has less power. The spark plug firing end can appear radiation shape of discharge.

Action: Change gasoline, change spark plug.



Insulator surface flashover

There is obvious arc burn marks along the axial of insulator.

Cause: The service time of spark plugs is too long, melted electrode, gap is too wide, the boot of spark plug wire has poor insulation and is aging. The gap between spark plug wire boot and insulator is too wide.

Action: Change spark plug wire or smear silicon oil in spark plug wire. Adjust the spark plug gap or change spark plugs.

Corona stain

A brown stain deposited on the insulator.

Generally, if spark plugs installed into four cylinders engine, two of them will have this problem.

Cause: The air ionized at 20kv-30kv high voltages and the impurity of air adhered to the insulator surface.

Action: There's no deterioration to the function of spark plug.


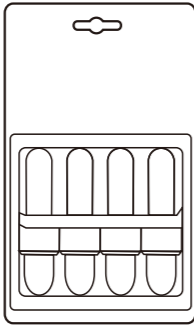
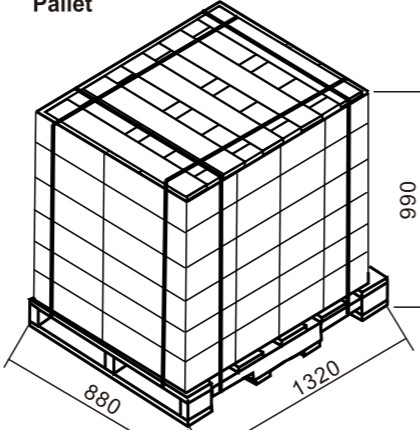
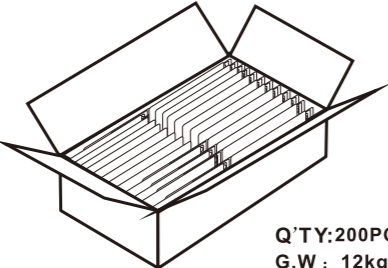



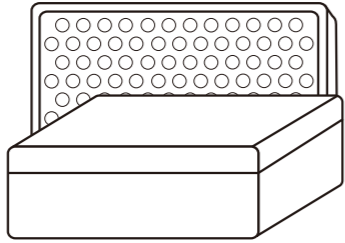
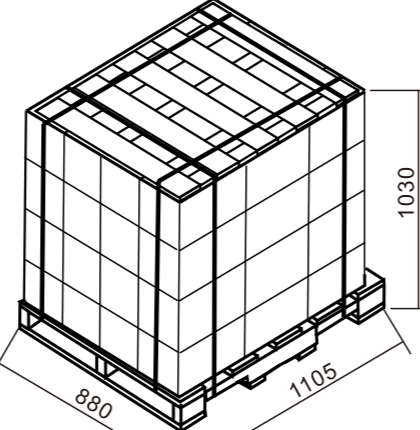
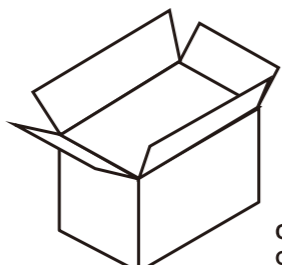
Vehicle Vibration


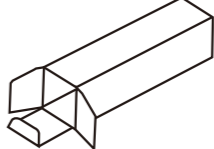
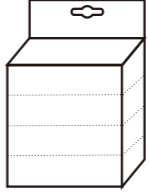
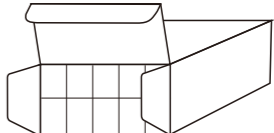
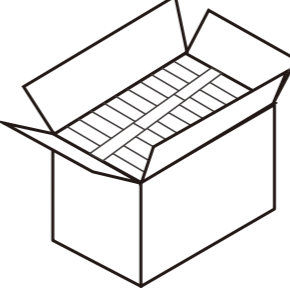
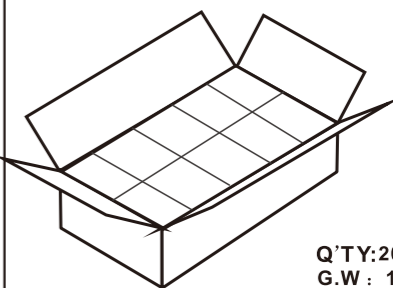
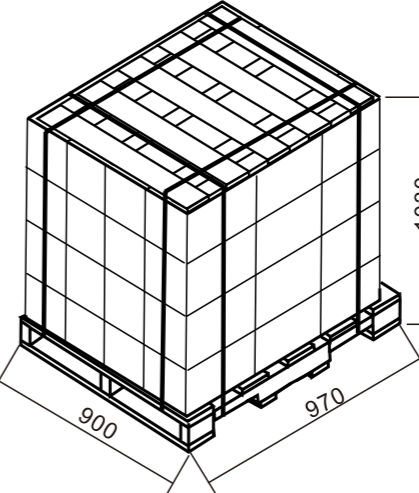
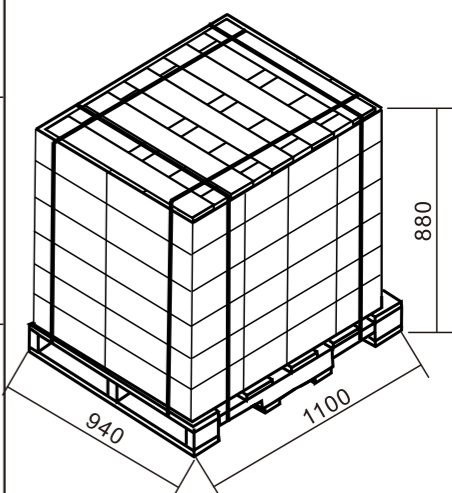
Engine vibrate, flame out. Steering wheel shakes when vibrating.

Cause: Carbon fouling happened on the throttle and caused oil fouled as vehicle has run about 30-40 thousand kilometers.

Action: Remove the throttle and clean it carefully.

|  | Size (mm) | Package | |
|---|-------------|---|--|
| Blister | 200X119 |  Q'TY:4PCS | Pallet  8 CTNS/Layer 6 layer/pallet 48 CTNS/pallet 9600pcs/pallet 880 1320 990 FOR REFERENCE |
| Carton | 430X320X140 |  Q'TY:200PCS G.W : 12kg | |

|  | Size (mm) | Package | |
|---|-------------|--|--|
| Polyfoam | 349X204X101 |  Q'TY:100PCS | Pallet  12 CTNS/Layer 4 layer/pallet 48 CTNS/pallet 9600pcs/pallet 880 1105 1030 FOR REFERENCE |
| Carton | 357X210X220 |  Q'TY:200PCS G.W : 12kg | |

|  | Size (mm) | Package | |
|---|------------------------------|---|--|
| Single box | 84X23.5X23.5 |  | Q'TY:1PCS |
| Mid box | 87X99X26 124X87X50 |  Q'TY:4PCS |  Q'TY:10PCS |
| Carton | 315X215X220 460X265X120 |  Q'TY:200PCS G.W : 12kg |  Q'TY:200PCS G.W : 10kg |
| Pallet | 970X900X1030 1100X940X880 |  12 CTNS/Layer 4 layer/pallet 48 CTNS/pallet 9600pcs/pallet FOR REFERENCE |  8 CTNS/Layer 6 layer/pallet 48 CTNS/pallet 9600pcs/pallet FOR REFERENCE |

IRIDIUM SPARK PLUG

- Ultra fine wire iridium center electrode provide better Ignitability.
- 360° continuous laser welded center electrode create reliable resistance to thermal shock occurred in new generation engines.
- New generation iridium alloy extend 15% longer life time than old generation alloy.



PLATINUM SPARK PLUG

- Better performance on ignitability and life time
- 360° continuous laser welded center electrode create reliable resistance, promote durability
- Tapered ground electrode decrease flame shroud for better combustion.



DOUBLE PLATINUM SPARK PLUG

- 360° continuous laser welded center electrode create reliable resistance.
- Laser welded ground electrode provide durability and longer life.
- Tapered ground electrode decrease flame shroud for better combustion.



EFFECTIVE SPARK PLUG

- Effective performance, improve Ignitability.
- Better cost performance.

